

PARTS CATALOGUE

WR250FP'02 (5PH8) SOUTH AFRICA

YAMAHA
GENUINE
Parts & Accessories

2A5PH-100E1



A2

FOREWORD

This Parts Catalogue is related to the parts for the model(s) in the below frame. When you are ordering replacement parts, please refer to this Parts Catalogue and quote both part numbers and part names correctly.

WR250FP(5PH5/5PH8),WR250F(5PH6)

1. Modifications or additions which have been made after issue of the Parts Catalogue will be announced in the Yamaha Parts News.
It is advisable that you make necessary corrections to the Parts Catalogue according to the Yamaha Parts News.

2. Abbreviations

The Following abbreviations are used in this Parts Catalogue.

- "UR" Use specified parts number.
- "UN" Use as many as needed.
- "AP" Alternate Parts
- "LM" Local Made (Parts need to be ordered locally)
- "F#" Frame No. (Applicable machine No.)

3. Parts, which are to be supplied in an assembly, are listed with a dot(.) in front of the part name as shown below.

EXAMPLE

CARBURETOR ASSY
.JET, PILOT
.NOZZLE, MAIN

4. Number of component for assembly

The numeral appearing to the right of each component part indicates the quantity of parts for each assembly unit.

EXAMPLE

PART NO.	DESCRIPTION	Q'TY	REMARKS
2F5-83310-60	FRONT FLASHER LIGHT ASSY	2	
115-83311-60	.BULB (6V-18W)	1	
1M1-83309-60	.REFLECTOR	1	

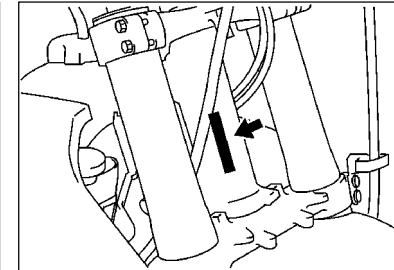
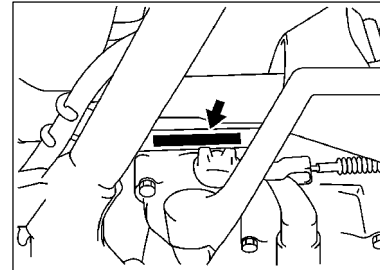
5. Applicable colors of graphics are represented in the "REMARKS" as shown below.

PART NO.	DESCRIPTION	Q'TY	REMARKS
2N4-24110-00-X5	.FUEL TANK COMP.	2	MXR
3J1-24240-10	.GRAPHIC, FUEL TANK	1	for MXR

6. Applicable Serial No.

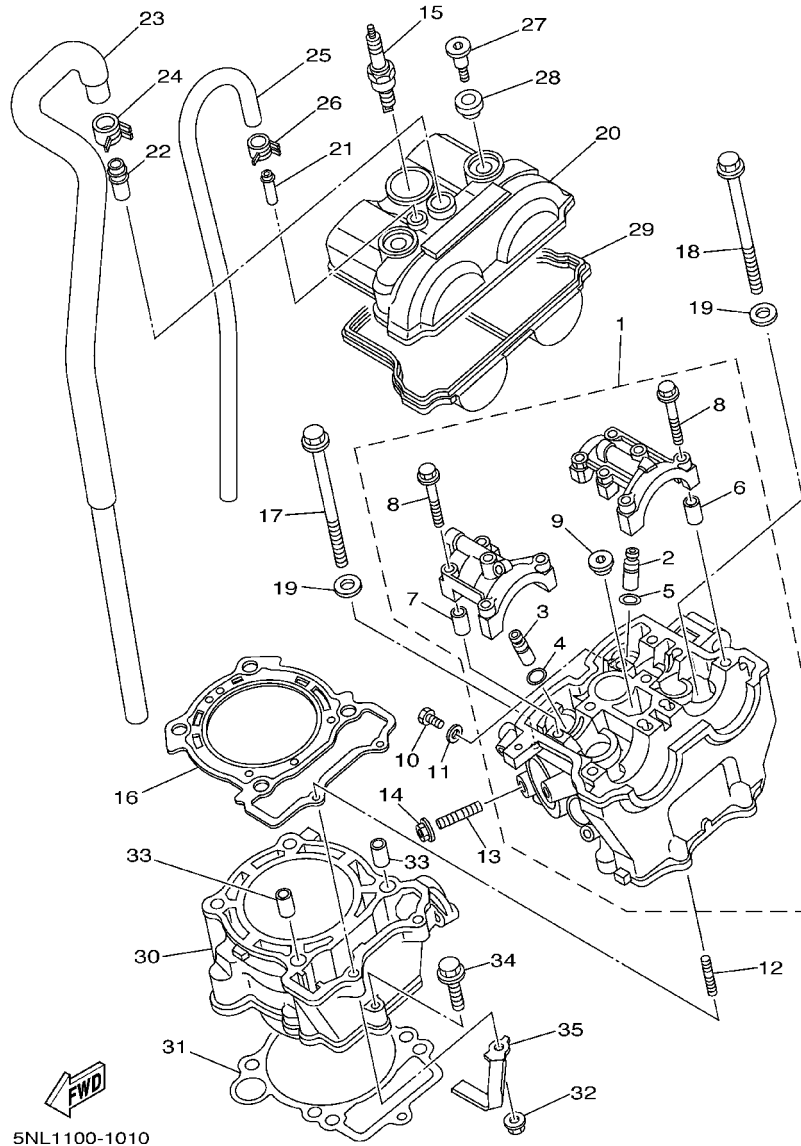
Engine Serial No.

Frame Serial No.



7. Note that the illustrations for reference in finding parts numbers, not to be used for assembling. When assembling, please use the applicable service manual.

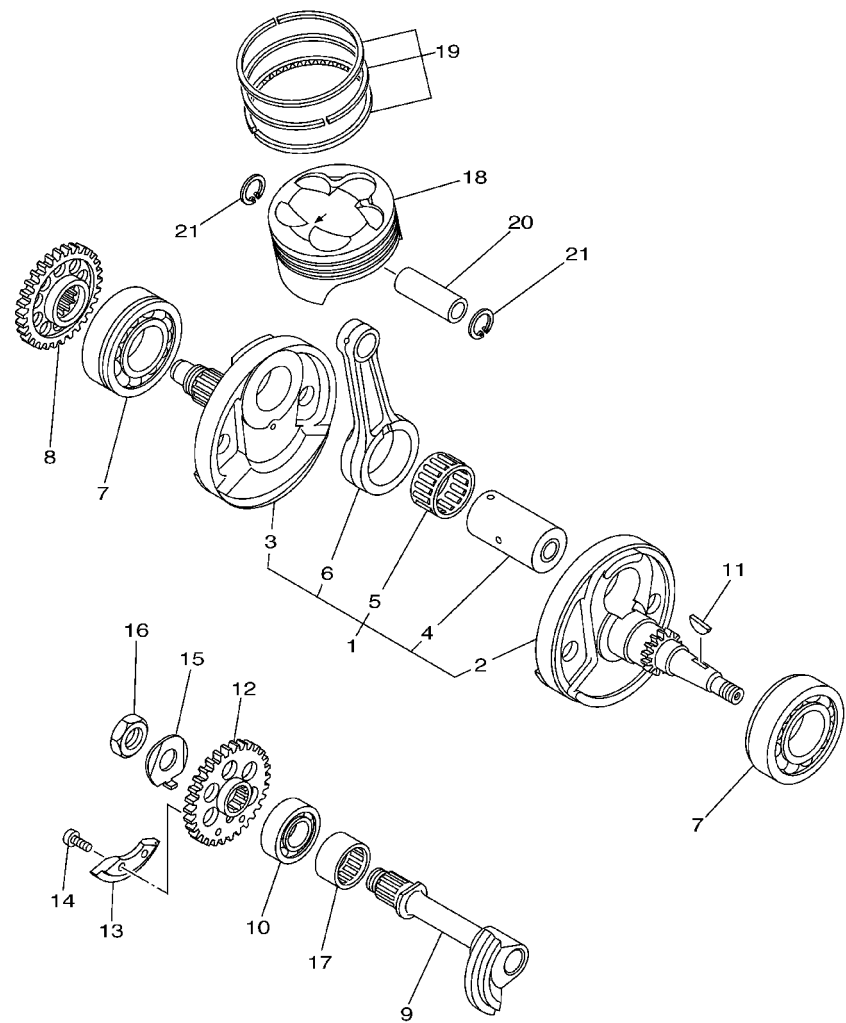
8. The asterisk (*) before a reference number indicates modification items after the first edition.



5NL1100-1010

FIG. 1 CYLINDER

REF. NO.	PART NO.	DESCRIPTION	5PH5	5PH6	5PH8	REMARKS
1	5NL-11102-10	CYLINDER HEAD ASSY	1	1	1	
2	5NL-11133-10	.GUIDE, INTAKE VALVE	3	3	3	
3	5NL-11134-10	.GUIDE, EXHAUST VALVE	2	2	2	
4	93440-10153	.CIRCLIP	2	2	2	
5	93440-07149	.CIRCLIP	3	3	3	
6	91808-16023	.PIN, DOWEL	2	2	2	
7	91808-16023	.PIN, DOWEL	2	2	2	
8	90105-06027	.BOLT, FLANGE	10	10	10	
9	90340-12112	.PLUG, STRAIGHT SCREW	1	1	1	
10	95027-06012	BOLT, FLANGE	1	1	1	
11	90430-06014	GASKET	1	1	1	
12	90116-06541	BOLT, STUD	2	2	2	
13	95617-08620	BOLT, STUD	1	1	1	
14	95707-08500	NUT, FLANGE	1	1	1	
15	NGK-C8E-PK10	PLUG, SPARK (NGK CR8E)	1	1	1	U R STD
	NGK-C9E-PK10	PLUG, SPARK (NGK R CR9E)	1	1	1	AP
16	5NL-11181-00	GASKET, CYLINDER HEAD 1	1	1	1	
17	90105-09555	BOLT, FLANGE	2	2	2	
18	90105-09002	BOLT, FLANGE	2	2	2	
19	90201-096J9	WASHER, PLATE	4	4	4	
20	5NL-11191-00	COVER, CYLINDER HEAD 1	1	1	1	
21	5BE-11167-00	PIPE, BREATHER 2	1	1	1	
22	371-11167-01	PIPE, BREATHER 2	1	1	1	
23	5BE-11166-00	PIPE, BREATHER 1	1	1	1	
24	90467-14015	CLIP	1	1	1	

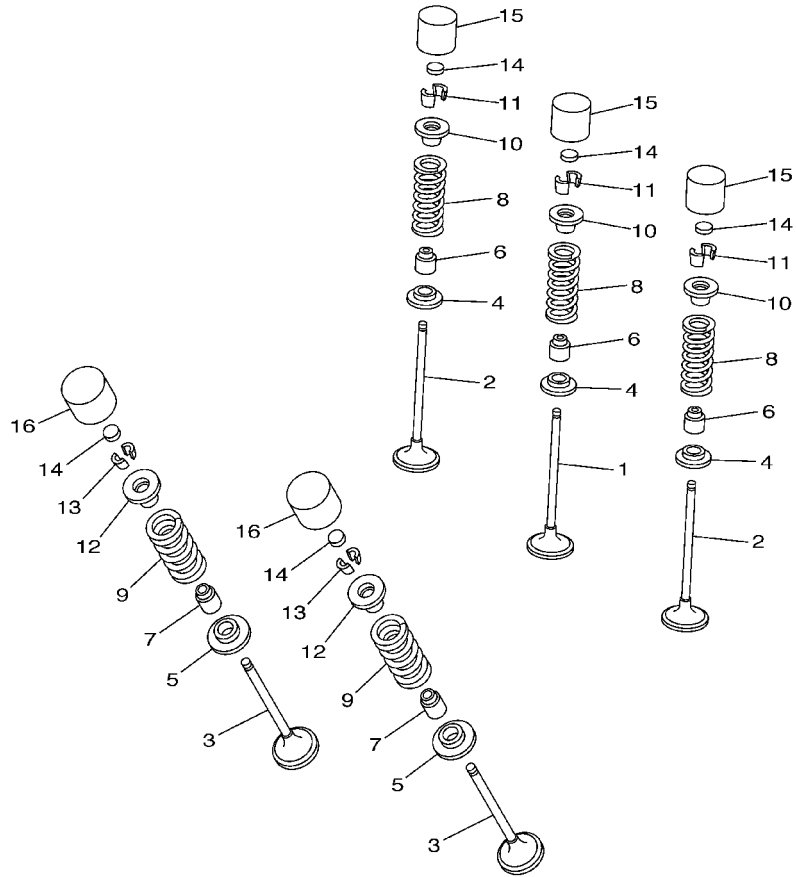


5NL1100-1020

FIG. 2 CRANKSHAFT. PISTON

REF. NO.	PART NO.	DESCRIPTION	5PH5	5PH6	5PH8	REMARKS
1	5NL-11400-10	CRANKSHAFT ASSY	1	1	1	
2	5NL-11412-00	.CRANK 1	1	1	1	
3	5NL-11422-00	.CRANK 2	1	1	1	
4	5NL-11681-00	.PIN, CRANK 1	1	1	1	
5	93310-63003	.BEARING	1	1	1	
6	5NL-11651-10	.ROD, CONNECTING	1	1	1	
7	93306-20648	BEARING	2	2	2	
8	5NL-11536-00	GEAR, DRIVE	1	1	1	
9	5NL-11455-00	SHAFT 1	1	1	1	
10	93306-20335	BEARING	1	1	1	
11	90280-03001	KEY, WOODRUFF	1	1	1	
12	5NL-11531-00	GEAR, BALANCE WT	1	1	1	
13	5NL-11454-00	WEIGHT 1	1	1	1	
14	90149-06250	SCREW	2	2	2	
15	90215-14204	WASHER, LOCK	1	1	1	
16	90170-14171	NUT	1	1	1	
17	93311-32261	BEARING	1	1	1	
18	5NL-11631-00	PISTON (STD)	1	1	1	
19	5NL-11603-00	PISTON RING SET (STD)	1	1	1	
20	5NL-11633-00	PIN, PISTON	1	1	1	
21	93420-16086	CIRCLIP	2	2	2	

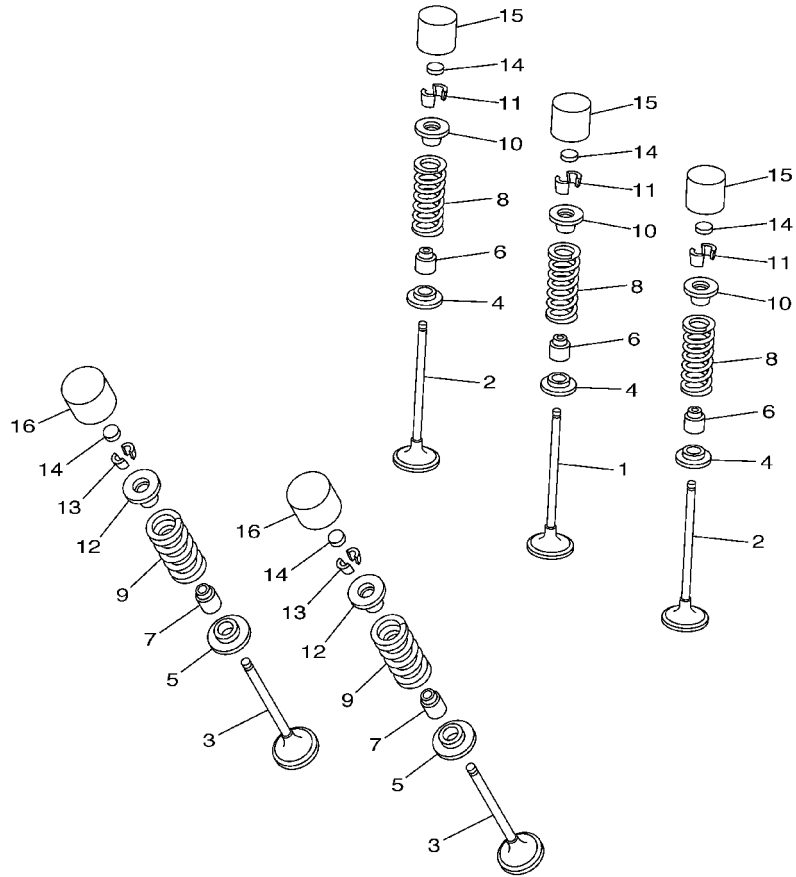
FIG. 3 VALVE



REF. NO.	PART NO.	DESCRIPTION	5PH5	5PH6	5PH8	REMARKS
1	5NL-12111-00	VALVE, INTAKE	1	1	1	
2	5NL-12112-00	VALVE, INTAKE 2	2	2	2	
3	5NL-12121-00	VALVE, EXHAUST	2	2	2	
4	5NL-12116-00	SEAT, VALVE SPRING	3	3	3	
5	3GM-12126-00	SEAT, VALVE SPRING 2	2	2	2	
6	4TV-12119-00	SEAL, VALVE STEM	3	3	3	
7	4SV-12119-00	SEAL, VALVE STEM	2	2	2	
8	5NL-12113-00	SPRING, VALVE INNER	3	3	3	
9	5NL-12114-00	SPRING, VALVE OUTER	2	2	2	
10	1HX-12117-00	RETAINER, VALVE SPRING	3	3	3	
11	1HX-12118-00	COTTER, VALVE	6	6	6	
12	1WG-12117-00	RETAINER, VALVE SPRING	2	2	2	
13	1WG-12118-00	COTTER, VALVE	4	4	4	
14	1HX-12168-00	PAD, ADJUSTING 2 (1.20)	5	5	5	UR
	1HX-12168-20	PAD, ADJUSTING 2 (1.25)	5	5	5	UR
	1HX-12168-40	PAD, ADJUSTING 2 (1.30)	5	5	5	UR
	1HX-12168-60	PAD, ADJUSTING 2 (1.35)	5	5	5	UR
	1HX-12168-80	PAD, ADJUSTING 2 (1.40)	5	5	5	UR
	1HX-12168-A0	PAD, ADJUSTING 2 (1.45)	5	5	5	UR
	1HX-12168-F0	PAD, ADJUSTING 2 (1.50)	5	5	5	UR
	1HX-12168-H1	PAD, ADJUSTING 2 (1.55)	5	5	5	UR
	1HX-12168-K1	PAD, ADJUSTING 2 (1.60)	5	5	5	UR
	1HX-12168-M1	PAD, ADJUSTING 2 (1.65)	5	5	5	UR
	1HX-12168-R1	PAD, ADJUSTING 2 (1.70)	5	5	5	UR
	1HX-12168-U1	PAD, ADJUSTING 2 (1.75)	5	5	5	UR
	1HX-12168-W1	PAD, ADJUSTING 2 (1.80)	5	5	5	UR
	1HX-12168-Y1	PAD, ADJUSTING 2 (1.85)	5	5	5	UR


5NL1100-1030

FIG. 3 VALVE

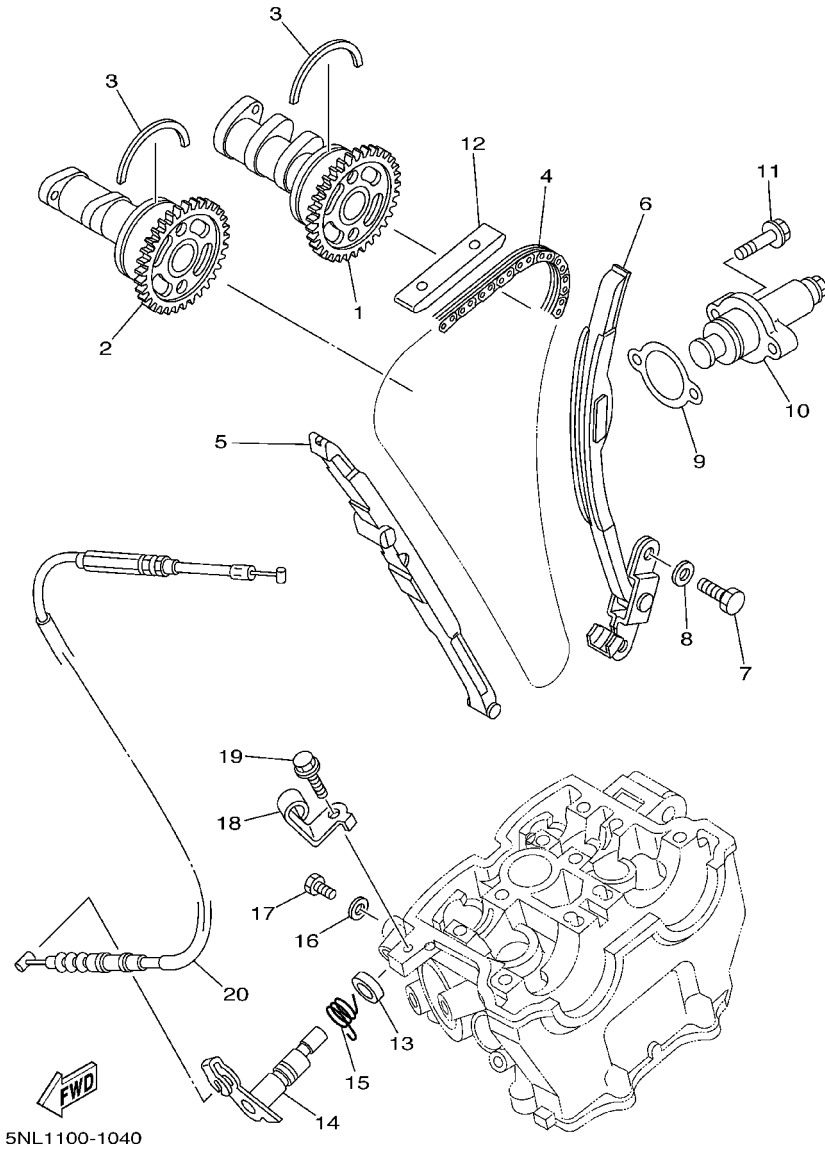


REF. NO.	PART NO.	DESCRIPTION	5PH5	5PH6	5PH8	REMARKS
14	1HX-12169-11	PAD, ADJUSTING 2 (1.90)	5	5	5	UR
	1HX-12169-31	PAD, ADJUSTING 2 (1.95)	5	5	5	UR
	1HX-12169-50	PAD, ADJUSTING 2 (2.00)	5	5	5	UR
	1HX-12169-70	PAD, ADJUSTING 2 (2.05)	5	5	5	UR
	1HX-12169-90	PAD, ADJUSTING 2 (2.10)	5	5	5	UR
	1HX-12169-E0	PAD, ADJUSTING 2 (2.15)	5	5	5	UR
	1HX-12169-G0	PAD, ADJUSTING 2 (2.20)	5	5	5	UR
	1HX-12169-J0	PAD, ADJUSTING 2 (2.25)	5	5	5	UR
	1HX-12169-L0	PAD, ADJUSTING 2 (2.30)	5	5	5	UR
	1HX-12169-N0	PAD, ADJUSTING 2 (2.35)	5	5	5	UR
	1HX-12169-T0	PAD, ADJUSTING 2 (2.40)	5	5	5	UR
15	3LN-12153-00	LIFTER, VALVE	3	3	3	UR BLACK
	3LN-12153-10	LIFTER, VALVE	3	3	3	UR YELLOW
	3LN-12153-20	LIFTER, VALVE	3	3	3	UR BLUE
	3LN-12153-30	LIFTER, VALVE	3	3	3	UR RED
16	3FV-12153-00	LIFTER, VALVE	2	2	2	UR BLACK
	3FV-12153-10	LIFTER, VALVE	2	2	2	UR YELLOW
	3FV-12153-20	LIFTER, VALVE	2	2	2	UR BLUE
	3FV-12153-30	LIFTER, VALVE	2	2	2	UR RED



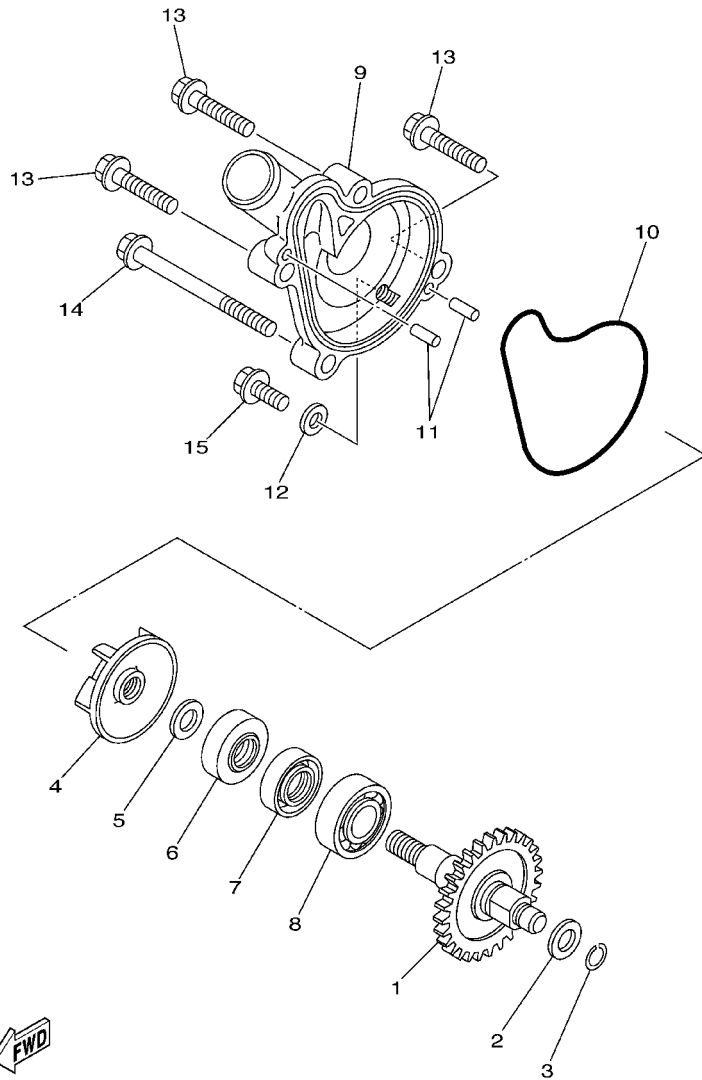
5NL1100-1030

FIG. 4 CAMSHAFT. CHAIN



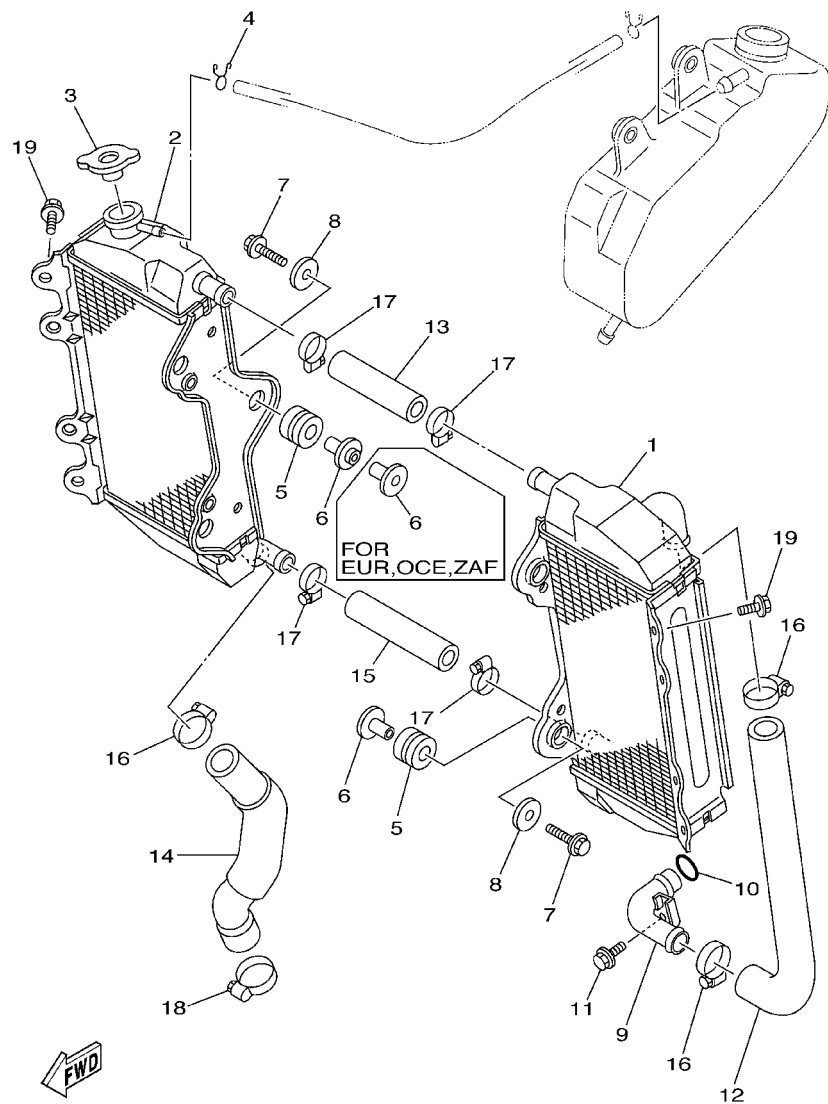
REF. NO.	PART NO.	DESCRIPTION	5PH5	5PH6	5PH8	REMARKS
1	5PH-12170-00	CAMSHAFT ASSY 1	1	1	1	
2	5PH-12180-00	CAMSHAFT ASSY 2	1	1	1	
3	93440-41178	CIRCLIP	2	2	2	
4	94591-53114	CHAIN	1	1	1	
5	5NL-12251-00	DAMPER, CHAIN 1	1	1	1	
6	5NL-12252-00	DAMPER, CHAIN 2	1	1	1	
7	97027-06016	BOLT	2	2	2	
8	92907-06600	WASHER, PLATE	2	2	2	
9	4FM-12213-00	GASKET, TENSIONER CASE	1	1	1	
10	5BE-12210-00	TENSIONER ASSY, CAM CHAIN	1	1	1	
11	95027-06025	BOLT, FLANGE	2	2	2	
12	5BE-12241-00	GUIDE, STOPPER 2	1	1	1	
13	93102-12224	OIL SEAL	1	1	1	
14	5BE-12280-10	DECOMPRESSION ASSY	1	1	1	
15	90508-162B2	SPRING, TORSION	1	1	1	
16	90430-06014	GASKET	1	1	1	
17	90109-06418	BOLT	1	1	1	
18	5NL-12283-00	BRACKET, DECOMPRESSION	1	1	1	
19	95827-06014	BOLT, FLANGE	1	1	1	
20	5BE-12292-10	CABLE, DECOMPRESSION	1	1	1	

FIG. 5 WATER PUMP



REF. NO.	PART NO.	DESCRIPTION	5PH5	5PH6	5PH8	REMARKS
1	5NL-12459-00	GEAR, IMPELLER SHAFT	1	1	1	
2	90201-08512	WASHER, PLATE	1	1	1	
3	93440-07182	CIRCLIP	1	1	1	
4	5DH-12451-00	IMPELLER, WATER PUMP	1	1	1	
5	90201-08512	WASHER, PLATE	1	1	1	
6	93109-11073	OIL SEAL	1	1	1	
7	93102-12106	OIL SEAL (SD 12-22-5 HS)	1	1	1	
8	93306-00105	BEARING (B6001)	1	1	1	
9	5NL-12422-00	COVER, HOUSING	1	1	1	
10	5NL-12439-00	O-RING	1	1	1	
11	93604-10011	PIN, DOWEL	2	2	2	
12	90430-06014	GASKET	1	1	1	
13	95027-06025	BOLT, FLANGE	3	3	3	
14	95027-06065	BOLT, FLANGE	1	1	1	
15	95027-06012	BOLT, FLANGE	1	1	1	

5NL1100-1050

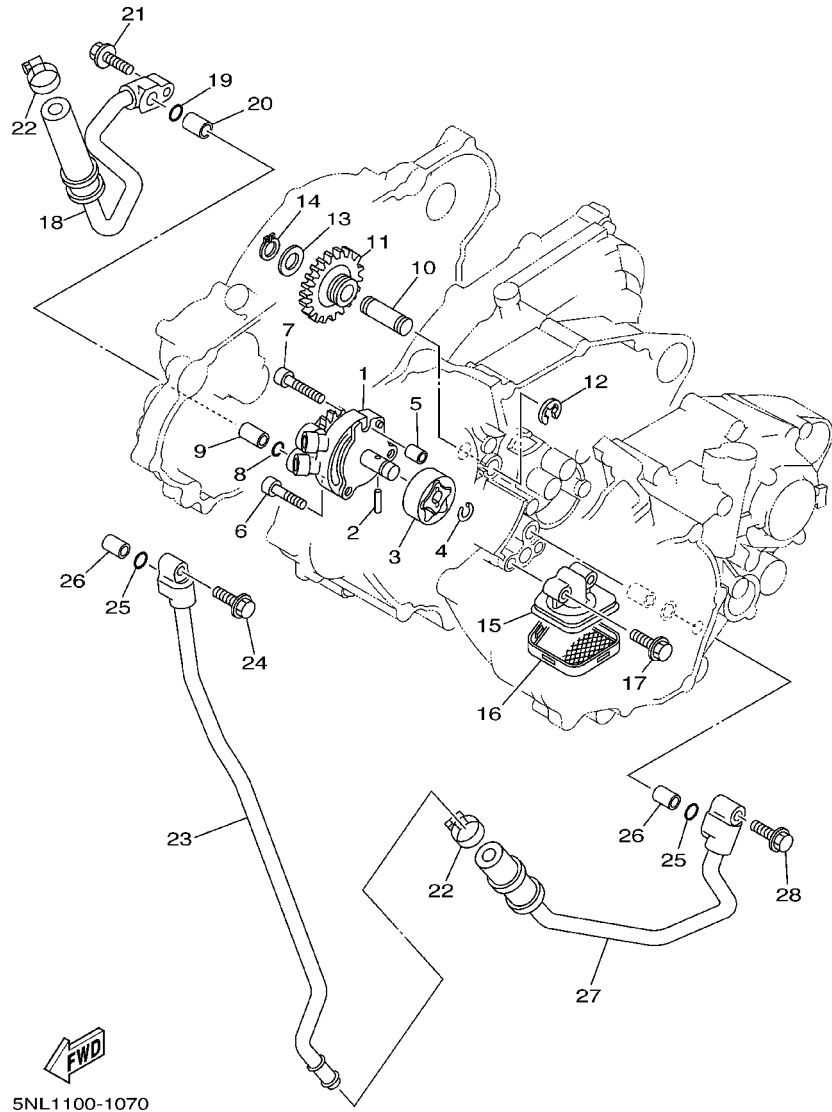


5PH1100-1060

FIG. 6 RADIATOR. HOSE

REF. NO.	PART NO.	DESCRIPTION	5PH5	5PH6	5PH8	REMARKS
1	5PH-1240A-00	RADIATOR ASSY	1	1	1	
2	5PH-12461-00	RADIATOR ASSY	1	1	1	
3	5HD-12462-00	CAP, RADIATOR	1	1	1	
4	90467-09006	CLIP	1	1	1	
5	90480-15528	GROMMET	6	6	6	
6	90387-0614M	COLLAR		6	6	UR FOR ZAF
7	95027-06025	BOLT, FLANGE		6	6	UR FOR ZAF
8	90201-06071	WASHER, PLATE		6	6	
9	5NL-12481-00	PIPE 1	1	1	1	
10	93210-15414	O-RING	1	1	1	
11	95027-06012	BOLT, FLANGE	1	1	1	
12	5SG-12576-00	HOSE 1	1	1	1	
13	5SG-12577-00	HOSE 2	1	1	1	
14	5SG-12578-00	HOSE 3	1	1	1	
15	5SG-12579-00	HOSE 4	1	1	1	
16	90450-25037	HOSE CLAMP ASSY	3	3	3	
17	90450-22017	HOSE CLAMP ASSY	4	4	4	
18	90450-32015	HOSE CLAMP ASSY	1	1	1	
19	95827-06010	BOLT, FLANGE	2	2	2	

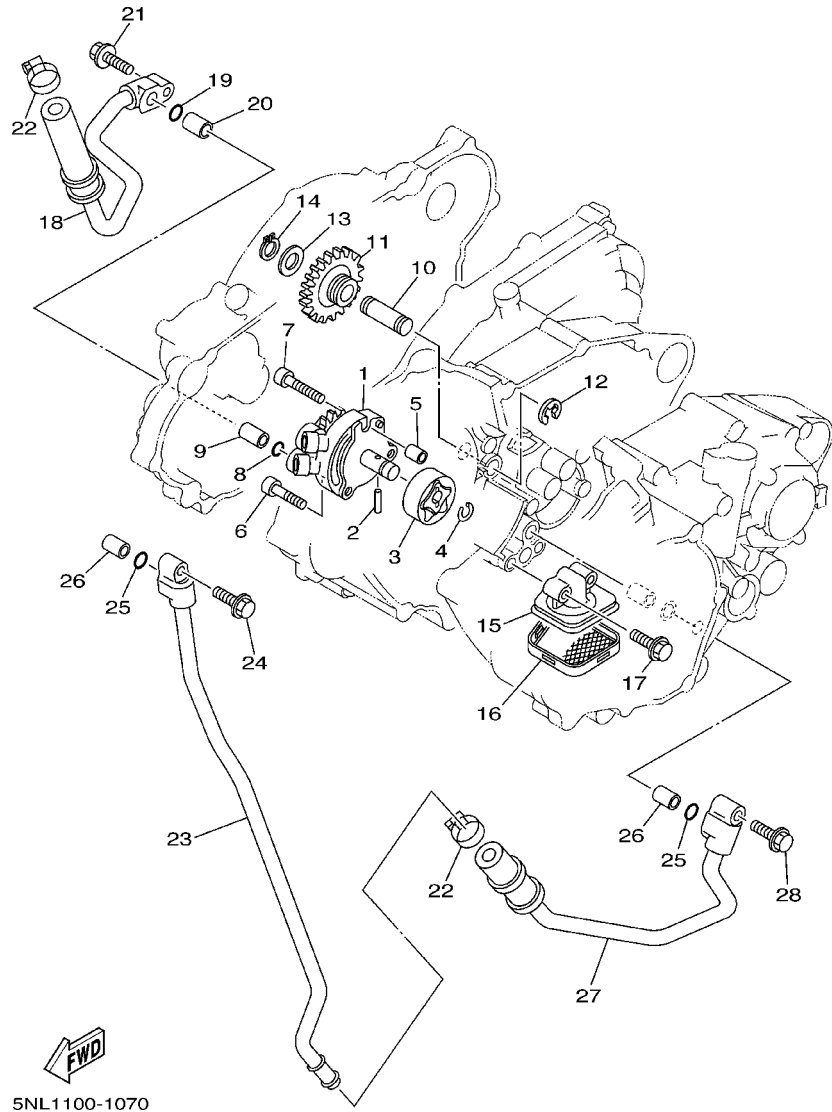
FIG. 7 OIL PUMP



5NL1100-1070

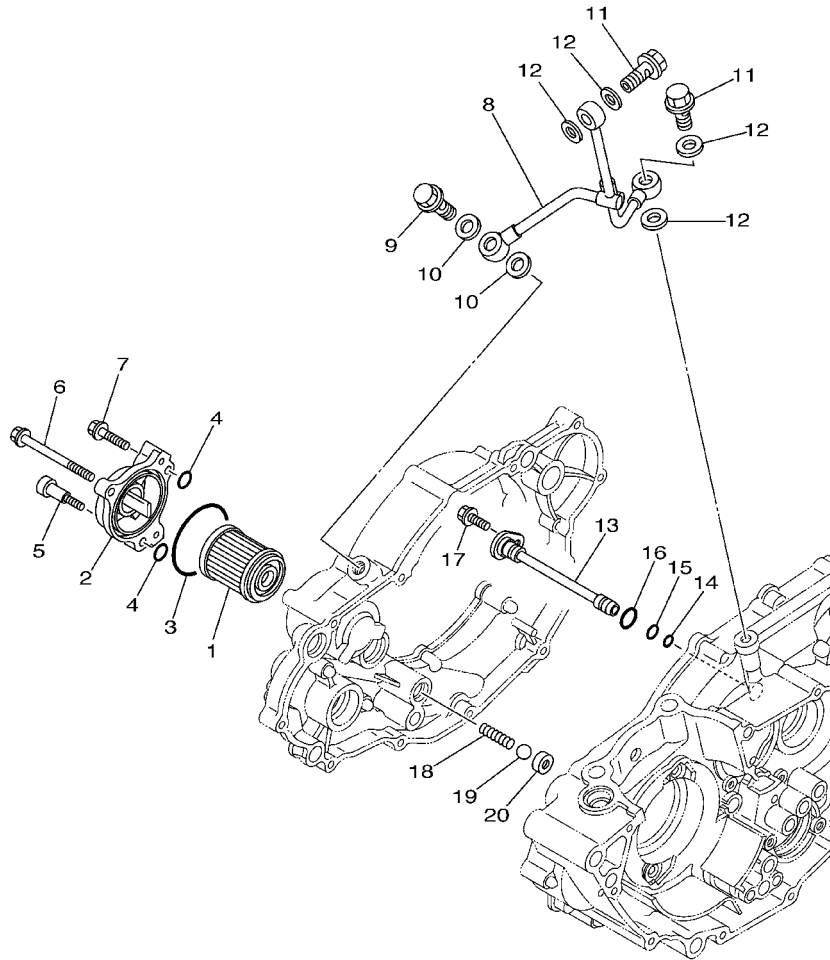
REF. NO.	PART NO.	DESCRIPTION	5PH5	5PH6	5PH8	REMARKS
1	5SG-13300-00	OIL PUMP ASSY	1	1	1	
2	93603-16219	PIN, DOWEL	1	1	1	
3	5NL-13320-00	ROTOR ASSY 2	1	1	1	
4	93440-10153	CIRCLIP	1	1	1	
5	99530-08012	PIN, DOWEL	1	1	1	
6	91317-06025	BOLT	2	2	2	
7	91314-06030	BOLT	1	1	1	
8	93210-10197	O-RING	1	1	1	
9	99530-10114	PIN, DOWEL	1	1	1	
10	5BE-13342-00	SHAFT, IDLE GEAR	1	1	1	
11	5NL-13341-00	GEAR, OIL PUMP IDLE	1	1	1	
12	99001-08600	CIRCLIP	1	1	1	
13	90201-12166	WASHER, PLATE	1	1	1	
14	99009-12400	CIRCLIP	1	1	1	
15	5NL-13412-00	HOUSING, STRAINER	1	1	1	
16	5NL-13411-00	STRAINER, OIL	1	1	1	
17	95027-06025	BOLT, FLANGE	2	2	2	
18	5NL-13464-00	HOSE, OIL 1	1	1	1	
19	93210-10197	O-RING	1	1	1	
20	99530-10114	PIN, DOWEL	1	1	1	
21	95027-06025	BOLT, FLANGE	1	1	1	
22	90450-22017	HOSE CLAMP ASSY	2	2	2	
23	5NL-13416-00	PIPE, OIL 1	1	1	1	
24	95024-06020	BOLT, FLANGE	1	1	1	
25	93210-10197	O-RING	2	2	2	
26	99530-10114	PIN, DOWEL	2	2	2	
27	5NL-13465-00	HOSE, OIL 2	1	1	1	

FIG. 7 OIL PUMP



REF. NO.	PART NO.	DESCRIPTION	SPH5	SPH6	SPH8	REMARKS
28	95027-06025	BOLT, FLANGE	1	1	1	

FIG. 8 OIL CLEANER

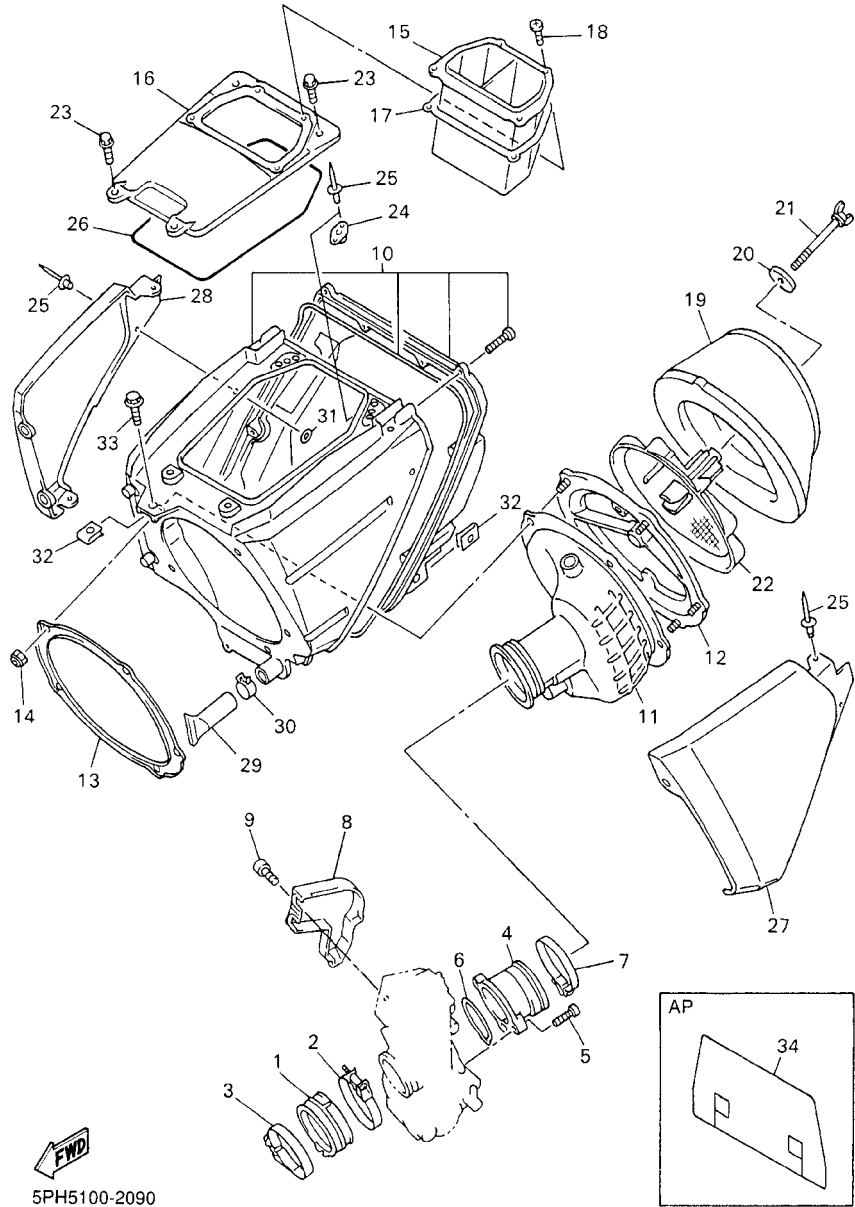


REF. NO.	PART NO.	DESCRIPTION	5PH5	5PH6	5PH8	REMARKS
1	1UY-13440-02	ELEMENT ASSY, OIL CLEANER	1	1	1	
2	5BE-13447-00	COVER, OIL ELEMENT	1	1	1	
3	93210-47675	O-RING	1	1	1	
4	93210-07135	O-RING	3	3	3	
5	90109-065G2	BOLT	1	1	1	
6	95027-06065	BOLT, FLANGE	1	1	1	
7	95027-06025	BOLT, FLANGE	1	1	1	
8	5NL-13161-00	PIPE, DELIVERY 1	1	1	1	
9	90401-10159	BOLT, UNION	1	1	1	
10	90430-10188	GASKET	2	2	2	
11	90401-08038	BOLT, UNION	2	2	2	
12	90430-08119	GASKET	4	4	4	
13	5NL-13171-00	PIPE, DELIVERY 2	1	1	1	
14	93210-07003	O-RING	1	1	1	
15	93210-09008	O-RING	1	1	1	
16	93210-12759	O-RING	1	1	1	
17	95027-06012	BOLT, FLANGE	1	1	1	
18	90501-043E0	SPRING, COMPRESSION	1	1	1	
19	93503-08007	BALL	1	1	1	
20	583-13113-00	SEAT, CHECK BALL	1	1	1	



5NL1100-1080

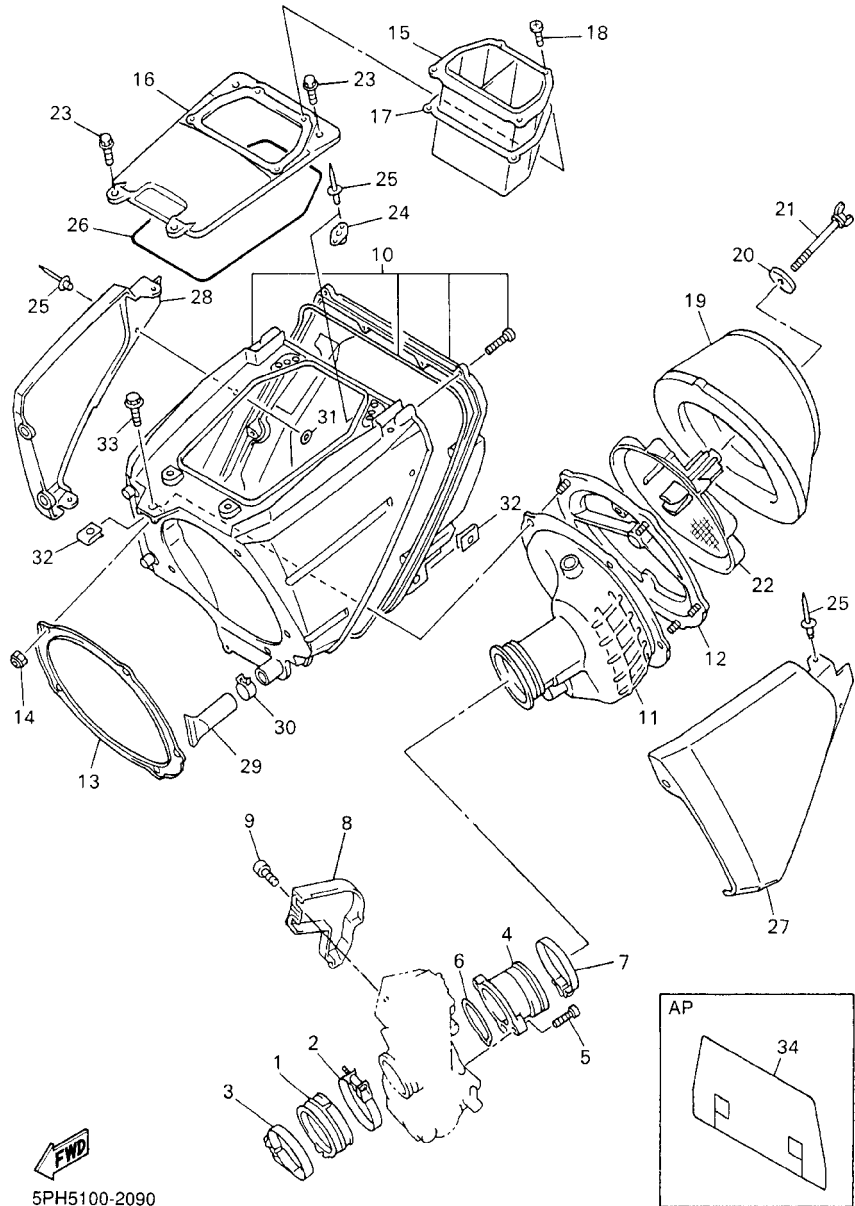
FIG. 9 INTAKE



5PH5100-2090

REF. NO.	PART NO.	DESCRIPTION	5PH5	5PH6	5PH8	REMARKS
1	5NL-13597-10	JOINT, CARBURETOR 3	1	1	1	
2	90450-57092	HOSE CLAMP ASSY	1	1	1	
3	90450-54002	HOSE CLAMP ASSY	1	1	1	
4	5JG-1440F-01	JOINT, AIR FILTER 1	1	1	1	
5	91317-05014	BOLT	2	2	2	
6	4FN-14561-00	O-RING	1	1	1	
7	90450-61001	HOSE CLAMP ASSY	1	1	1	
8	5JG-14293-01	COVER 1	1	1	1	
9	5JG-14428-00	BOLT	1	1	1	
10	5JG-14401-00	AIR CLEANER CASE ASSY	1	1	1	
11	5JG-14453-00	JOINT, AIR CLEANER 1	1	1	1	
12	3JD-14459-01	HOLDER, GUIDE	1	1	1	
13	5MV-14477-00	PLATE	1	1	1	
14	95607-05100	NUT, U	5	5	5	
15	5BF-14437-00	DUCT	1	1	1	
16	5BF-1441A-10	COVER, CLEANER CASE 1	1	1	1	
17	5BF-14452-00	SEAL	1	1	1	
18	97707-50012	SCREW, TAPPING	4	4	4	
19	4XM-14451-00	ELEMENT, AIR CLEANER	1	1	1	
20	90209-06096	WASHER	1	1	1	
21	90122-06035	BOLT, WING	1	1	1	
22	5BE-14458-00	GUIDE	1	1	1	
23	90146-06014	SCREW, OVAL FILLISTER	4	4	4	
24	5BF-14493-00	STAY 1	2	2	2	
25	90267-32070	RIVET, BLIND	9	9	9	
26	5BF-14457-00	SEAL	1	1	1	
27	5BE-1441A-10	COVER, CLEANER CASE 1	1	1	1	

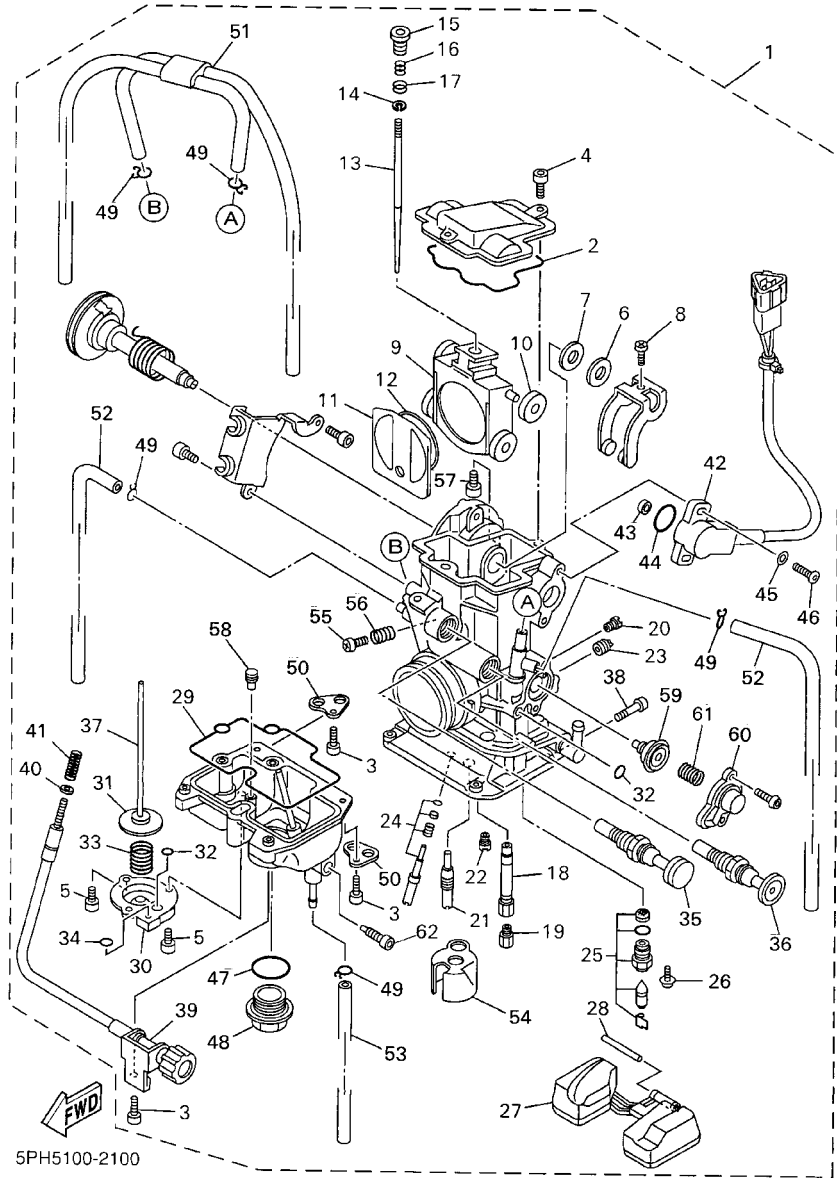
FIG. 9 INTAKE



5PH5100-2090

REF. NO.	PART NO.	DESCRIPTION	5PH5	5PH6	5PH8	REMARKS
28	5BE-1441E-10	COVER, CLEANER CASE 2	1	1	1	
29	5BF-1443E-00	PIPE, DRAIN	1	1	1	
30	90467-17089	CLIP	1	1	1	
31	90201-03313	WASHER, PLATE	5	5	5	
32	90183-06023	NUT, SPRING	2	2	2	
33	95027-06012	BOLT, FLANGE	1	1	1	
34	5JG-14417-00	COVER 1	1	1	1	AP

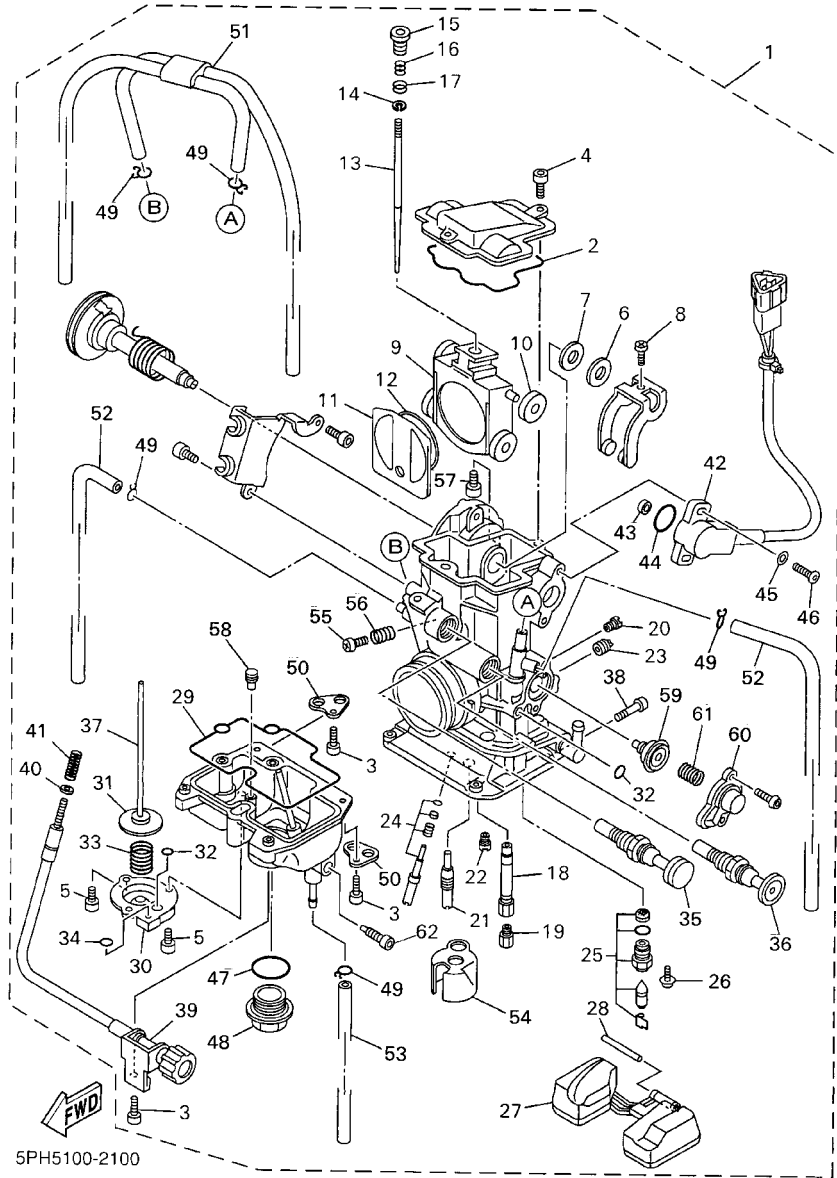
FIG. 10 CARBURETOR



5PH5100-2100

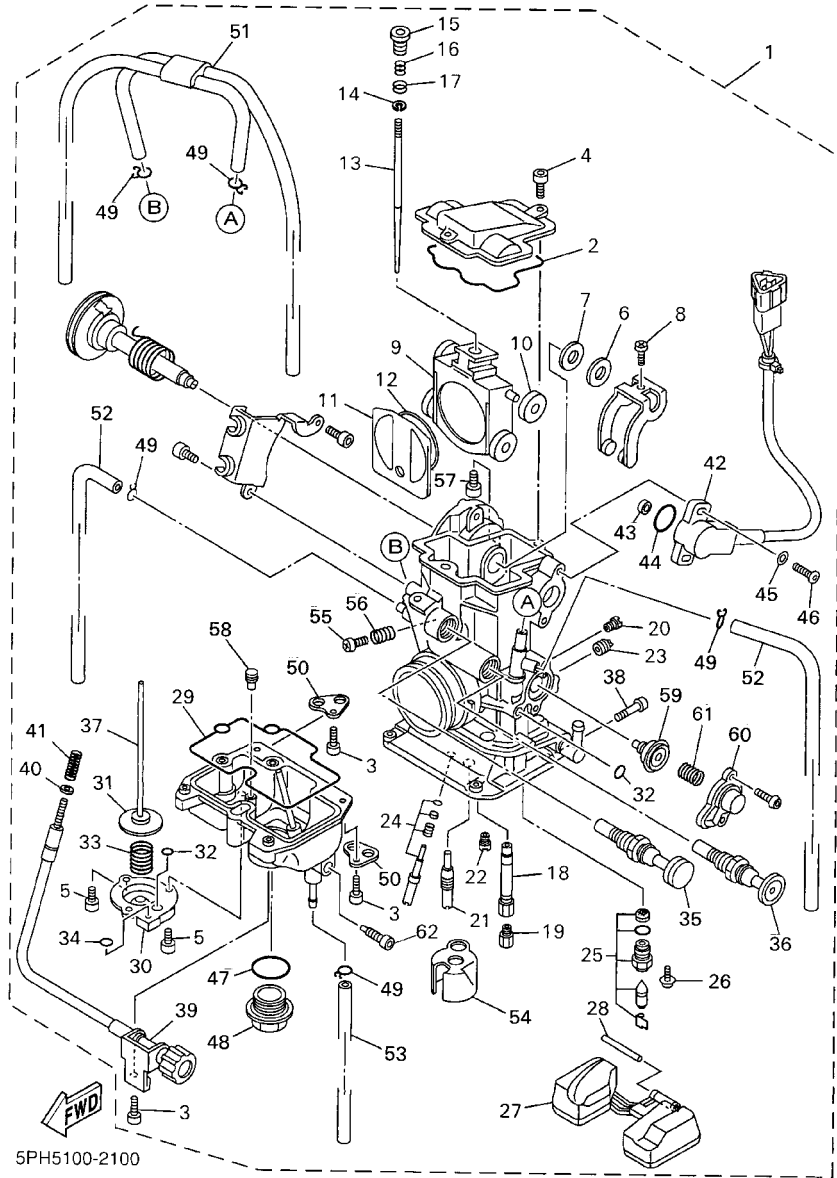
REF. NO.	PART NO.	DESCRIPTION	5PH5	5PH6	5PH8	REMARKS
1	5PH-14101-80	CARBURETOR ASSY 1			1	
2	5JG-14959-00	.GASKET	1	1	1	
3	91316-04012	.BOLT	4	4	4	
4	91316-04012	.BOLT	2	2	2	
5	91316-04008	.BOLT	3	3	3	
6	90202-08045	.WASHER, PLATE	1	1	1	
7	5JG-14951-00	.WASHER	1	1	1	
8	5JG-14522-00	.SCREW, ADJUST	1	1	1	
9	5JG-14388-00	.VALVE, VACUUM CONTROL	1	1	1	
10	3TJ-14267-40	.ROLLER	1	1	1	
11	5JG-14546-01	.VALVE, NEEDLE	1	1	1	
12	4FN-14997-00	.SEAL	1	1	1	
13	5NL-14916-EP	.NEEDLE (#OBELP)			1	STD
	5NL-14916-EM	.NEEDLE (#OBELM)	1	1	1	AP
	5NL-14916-EN	.NEEDLE (#OBELN)	1	1		AP
	5NL-14916-ER	.NEEDLE (#OBELR)	1	1	1	AP
	5NL-14916-ES	.NEEDLE (#OBELS)	1	1	1	AP
	5NL-14916-EL	.NEEDLE (#OBELL)		1	1	AP
	5NL-14916-E1	.NEEDLE (#OBELQ)		1	1	AP
14	3TJ-14159-40	.CLIP	1	1	1	
15	5JG-14521-00	.SCREW, ADJUST	1	1	1	

FIG. 10 CARBURETOR



REF. NO.	PART NO.	DESCRIPTION	5PH5	5PH6	5PH8	REMARKS
22	3TJ-1494F-12	.JET (#62)	1	1	1	AP
	3TJ-1494F-13	.JET (#65)	1	1	1	AP
	3TJ-1494F-14	.JET (#68)	1	1	1	AP
	3TJ-1494F-15	.JET (#70)	1	1	1	AP
	3TJ-1494F-17	.JET (#75)	1	1	1	AP
	3TJ-1494F-18	.JET (#78)	1	1	1	AP
	3TJ-1494F-19	.JET (#80)	1	1	1	AP
	3TJ-1494F-20	.JET (#82)	1	1	1	AP
23	7A9-14943-17	.JET (#75)	1	1	1	
24	5NL-14105-00	.PILOT SCREW SET	1	1	1	
25	5BE-14107-00	.NEEDLE VALVE SET	1	1	1	
26	5BE-14216-00	.SCREW	1	1	1	
27	4SR-14985-00	.FLOAT	1	1	1	
28	676-14548-00	.PIN, FLOAT ARM	1	1	1	
29	5JG-14984-00	.GASKET, FLOAT CHAMBER	1	1	1	
30	3TJ-14293-40	.COVER 1	1	1	1	
31	5JG-14940-76	.DIAPHRAGM ASSY	1	1	1	STD
	5JG-14940-16	.DIAPHRAGM ASSY	1	1	1	AP
	5JG-14940-17	.DIAPHRAGM ASSY	1	1	1	AP
	5JG-14940-18	.DIAPHRAGM ASSY	1	1	1	AP
32	3TJ-14536-40	.GASKET	2	2	2	
33	3TJ-14933-40	.SPRING, DIAPHRAGM	1	1	1	
34	6H4-14561-00	.O-RING	1	1	1	
35	5JG-14171-00	.PLUNGER, STARTER	1	1	1	
36	5JG-14371-00	.PLUNGER, STARTER	1	1	1	
37	5JG-14379-00	.ROD, STARTER	1	1	1	
38	3TJ-14325-40	.SCREW, PAN HEAD	1	1	1	

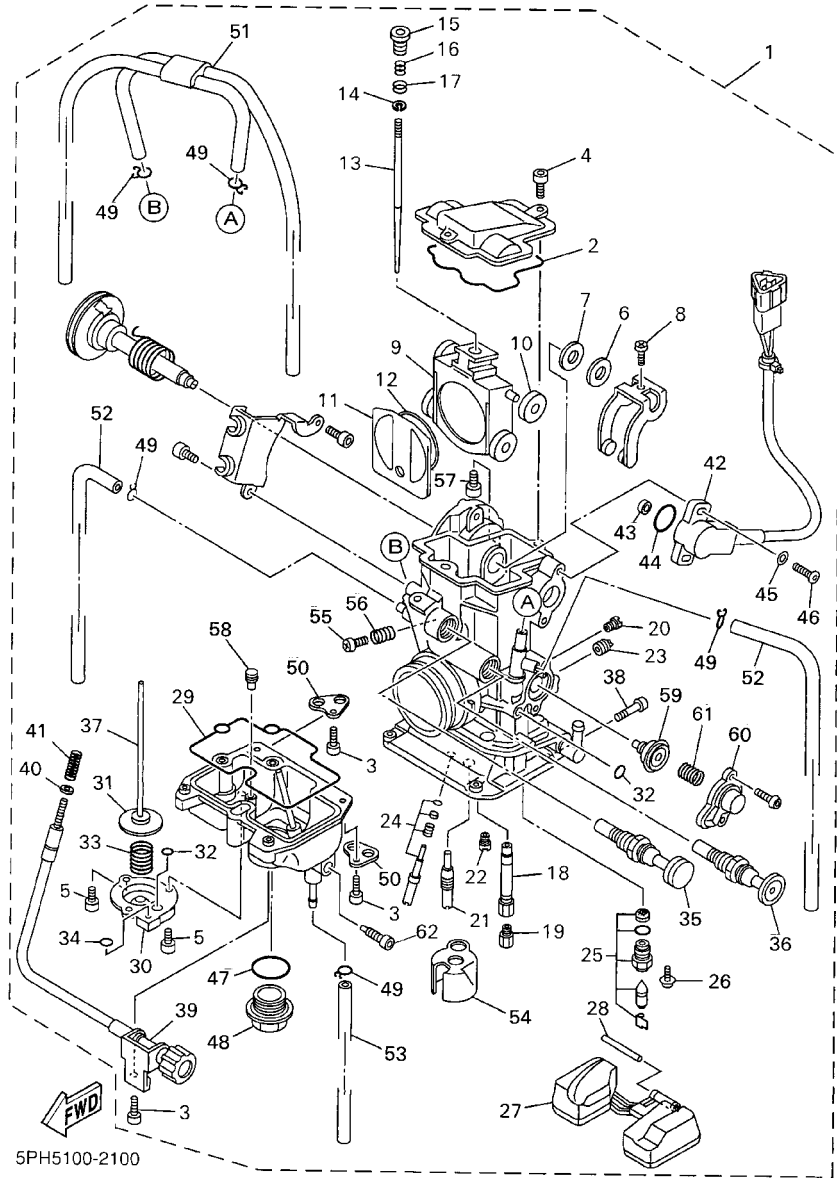
FIG. 10 CARBURETOR



5PH5100-2100

REF. NO.	PART NO.	DESCRIPTION	5PH5	5PH6	5PH8	REMARKS
39	5JG-14922-00	.SCREW, THROTTLE	1	1	1	
40	90201-08410	.WASHER, PLATE	1	1	1	
41	4FN-14934-00	.SPRING, THROTTLE STOP	1	1	1	
42	5JG-85885-00	.THROTTLE SENSOR ASSY	1	1	1	
43	5BE-14449-00	.COLLAR	1	1	1	
44	5BE-14562-00	.O-RING	1	1	1	
45	4YR-14557-00	.WASHER	2	2	2	
46	4YR-14216-00	.SCREW	2	2	2	
47	4MX-14561-00	.O-RING	1	1	1	
48	4MX-14115-00	.PLUG, SCREW	1	1	1	
49	3TJ-14137-40	.CLIP	5	5	5	
50	5BE-14146-00	.PLATE	2	2	2	
51	5NL-14196-00	.PIPE COMP.	1	1	1	
52	5JG-14197-00	.PIPE	2	2	2	
53	5JG-14987-00	.HOSE	1	1	1	
54	5JG-14346-00	.PLATE	1	1	1	
55	5JG-14565-00	.SCREW	1	1	1	
56	5JG-14531-00	.SPRING, ADJUST SCREW	1	1	1	
57	5GS-14591-00	.SCREW	1			
	5NL-14591-00	.SCREW		1	1	
58	4JT-1494F-11	.JET (#60)	1			
	4JT-1494F-23	.JET (#90)		1		
	4JT-1494F-28	.JET (#105)			1	STD
	4JT-1494F-01	.JET (#35)	1			AP
	4JT-1494F-03	.JET (#40)	1			AP
	4JT-1494F-07	.JET (#50)	1			AP
	4JT-1494F-15	.JET (#70)	1	1		AP

FIG. 10 CARBURETOR



REF. NO.	PART NO.	DESCRIPTION	5PH5	5PH6	5PH8	REMARKS
58	4JT-1494F-19	.JET (#80)	1	1		AP
	4JT-1494F-23	.JET (#90)	1			AP
	4JT-1494F-17	.JET (#75)		1	1	AP
	4JT-1494F-11	.JET (#60)		1		AP
	4JT-1494F-29	.JET(#110)		1		AP
	4JT-1494F-31	.JET(#120)		1		AP
	4JT-1494F-21	.JET (#85)			1	AP
	4JT-1494F-25	.JET (#95)			1	AP
	4JT-1494F-30	.JET (#115)			1	AP
	4JT-1494F-32	.JET (#125)			1	AP
	4JT-1494F-34	.JET (#135)			1	AP
59	5GS-14940-00	.DIAPHRAGM ASSY	1	1	1	
60	5GS-14958-00	.COVER, DIAPHRAGM	1	1	1	
61	5GS-14933-00	.SPRING, DIAPHRAGM	1	1	1	
62	3TJ-14191-40	.PLUG, DRAIN	1	1	1	

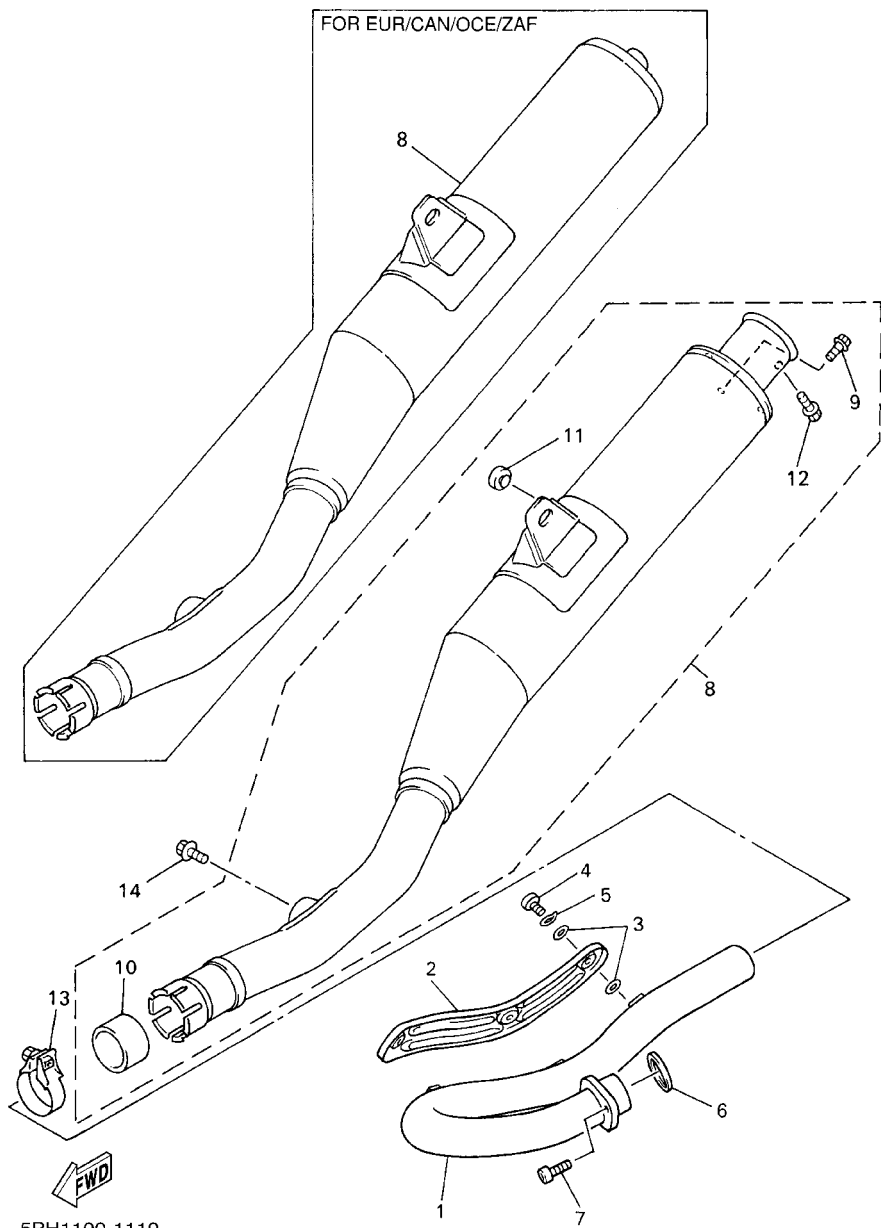
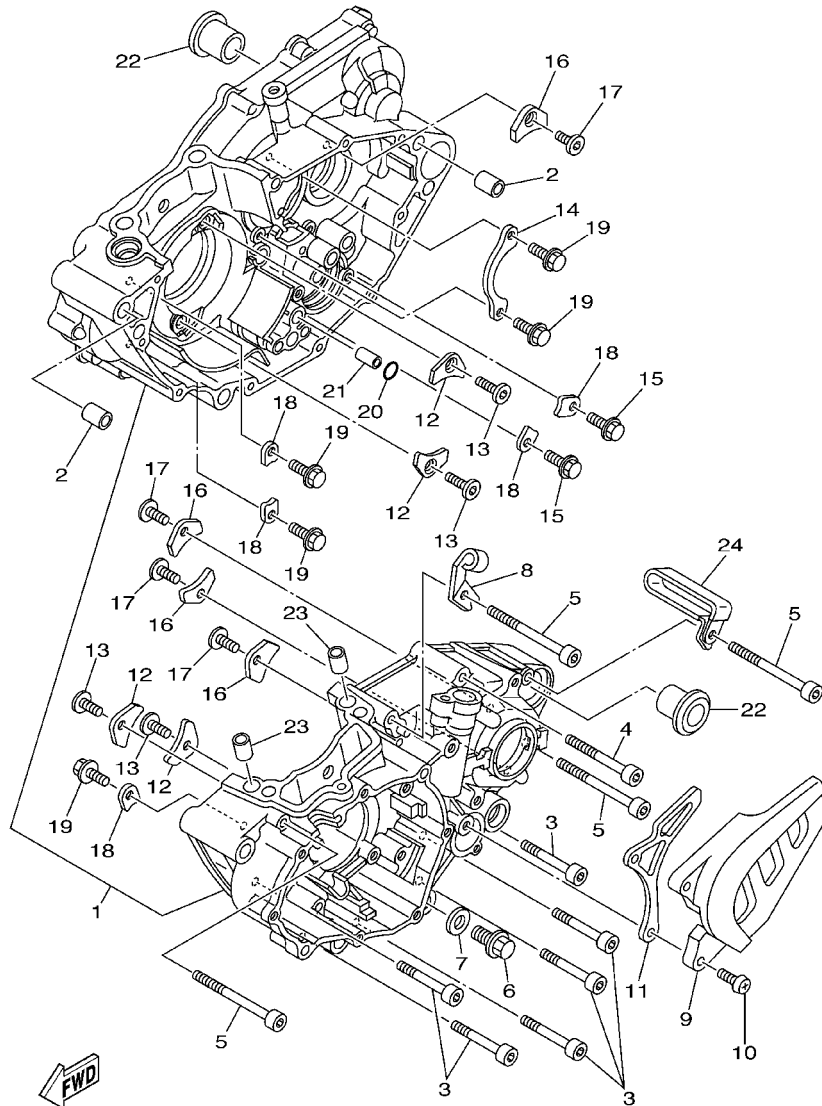


FIG. 11 EXHAUST

REF. NO.	PART NO.	DESCRIPTION	5PH5	5PH6	5PH8	REMARKS
1	5NL-14611-00	PIPE, EXHAUST 1	1	1	1	
2	5NL-14628-00	PROTECTOR, EXHAUST PIPE	1	1	1	
3	4BD-14766-00	WASHER, PROTECTOR	6	6	6	
4	98980-06008	SCREW, BIND	3	3	3	
5	90206-06090	WASHER, WAVE	3	3	3	
6	5NL-14613-00	GASKET, EXHAUST PIPE	1	1	1	
7	91317-08020	BOLT	1	1	1	
8	5PH-14710-10	MUFFLER ASSY 1		1	1	
9	NOT APPLICABLE					
10	5PH-14714-00	GASKET, MUFFLER	1	1	1	
11	22W-24181-00	DAMPER, LOCATING 1	1	1	1	
12	NOT APPLICABLE					
13	5BE-14788-00	BAND, SILENCER	1	1	1	
14	95817-08014	BOLT, FLANGE	2	2	2	

FIG. 12 CRANKCASE



5NL1100-1120

REF. NO.	PART NO.	DESCRIPTION	5PH5	5PH6	5PH8	REMARKS
1	5SG-15150-00	CRANKCASE ASSY	1	1	1	
2	93612-16254	PIN, DOWEL	2	2	2	
3	91317-06045	BOLT	6	6	6	
4	91317-06055	BOLT	1	1	1	
5	91317-06070	BOLT	4	4	4	
6	95027-10016	BOLT, FLANGE	1	1	1	
7	90430-10188	GASKET	1	1	1	
8	5NL-15441-01	HOLDER, CLUTCH CABLE	1	1	1	
9	5BE-15421-00	COVER, CRANKCASE 2	1	1	1	
10	98507-06025	SCREW, PAN HEAD	2	2	2	
11	5NL-17466-00	GUIDE, CHAIN	1	1	1	
12	5BE-15383-01	PLATE, BEARING COVER	4	4	4	
13	90149-06126	SCREW	4	4	4	
14	5NL-15388-00	PLATE, BEARING COVER	1	1	1	
15	90105-06553	BOLT, FLANGE	2	2	2	
16	4JT-15381-01	PLATE, BEARING COVER	4	4	4	
17	90149-06326	SCREW	4	4	4	
18	5DH-18562-00	PLATE, STOPPER 2	5	5	5	
19	90105-06553	BOLT, FLANGE	5	5	5	
20	93210-10197	O-RING	1	1	1	
21	99530-10114	PIN, DOWEL	1	1	1	
22	90387-18007	COLLAR	2	2	2	
23	99530-10116	PIN, DOWEL	2	2	2	
24	90465-10013	CLAMP	1	1	1	

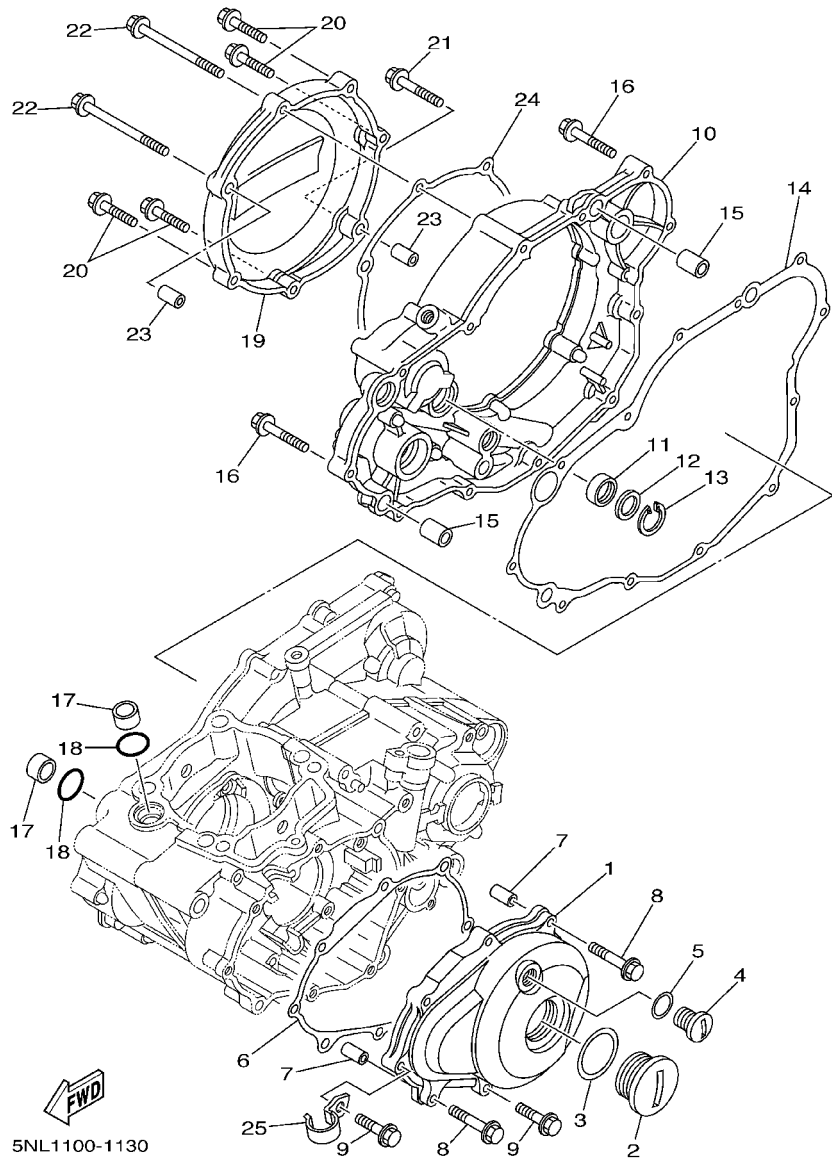
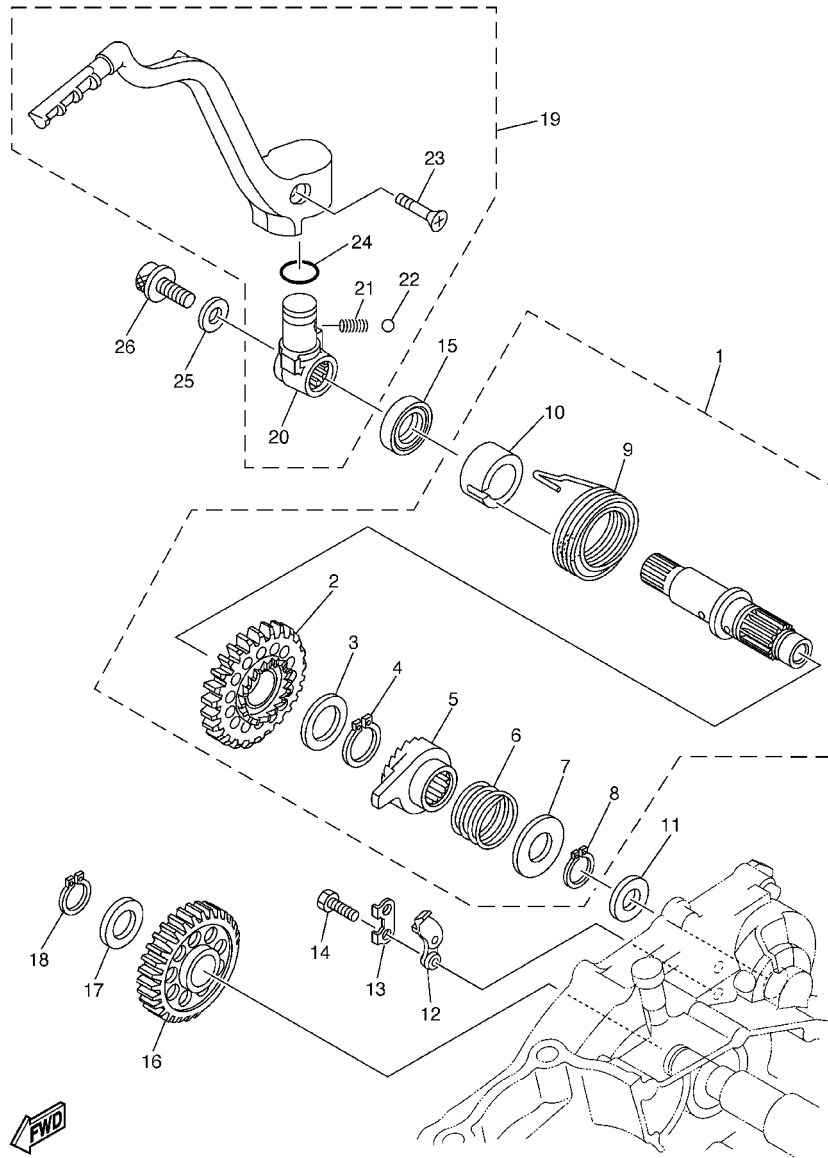


FIG. 13 CRANKCASE COVER 1

REF. NO.	PART NO.	DESCRIPTION	5PH5	5PH6	5PH8	REMARKS
1	5NL-15411-00	COVER, CRANKCASE 1	1	1	1	
2	90340-32123	PLUG, STRAIGHT SCREW	1	1	1	
3	93210-32172	O-RING	1	1	1	
4	90340-14128	PLUG, STRAIGHT SCREW	1	1	1	
5	93210-14369	O-RING	1	1	1	
6	5NL-15451-00	GASKET, CRANKCASE COVER 1	1	1	1	
7	99530-08016	PIN, DOWEL	2	2	2	
8	95027-06035	BOLT, FLANGE	2	2	2	
9	95027-06025	BOLT, FLANGE	6	6	6	
10	5NL-15431-00	COVER, CRANKCASE 3	1	1	1	
11	93101-14164	OIL SEAL	1	1	1	
12	90201-15701	WASHER, PLATE (1.0T)	1	1	1	
13	99009-22500	CIRCLIP	1	1	1	
14	5NL-15462-00	GASKET, CRANKCASE COVER 3	1	1	1	
15	91812-16001	PIN, DOWEL	2	2	2	
16	95027-06035	BOLT, FLANGE	8	8	8	
17	5NL-12564-00	PIPE, WATER	2	2	2	
18	93210-16716	O-RING	2	2	2	
19	5NL-15415-00	COVER 1	1	1	1	
20	95027-06025	BOLT, FLANGE	4	4	4	
21	95027-06035	BOLT, FLANGE	1	1	1	
22	90105-065A1	BOLT, FLANGE	2	2	2	
23	99530-08016	PIN, DOWEL	2	2	2	
24	5NL-15453-00	GASKET 1	1	1	1	
25	90465-08029	CLAMP	1	1	1	

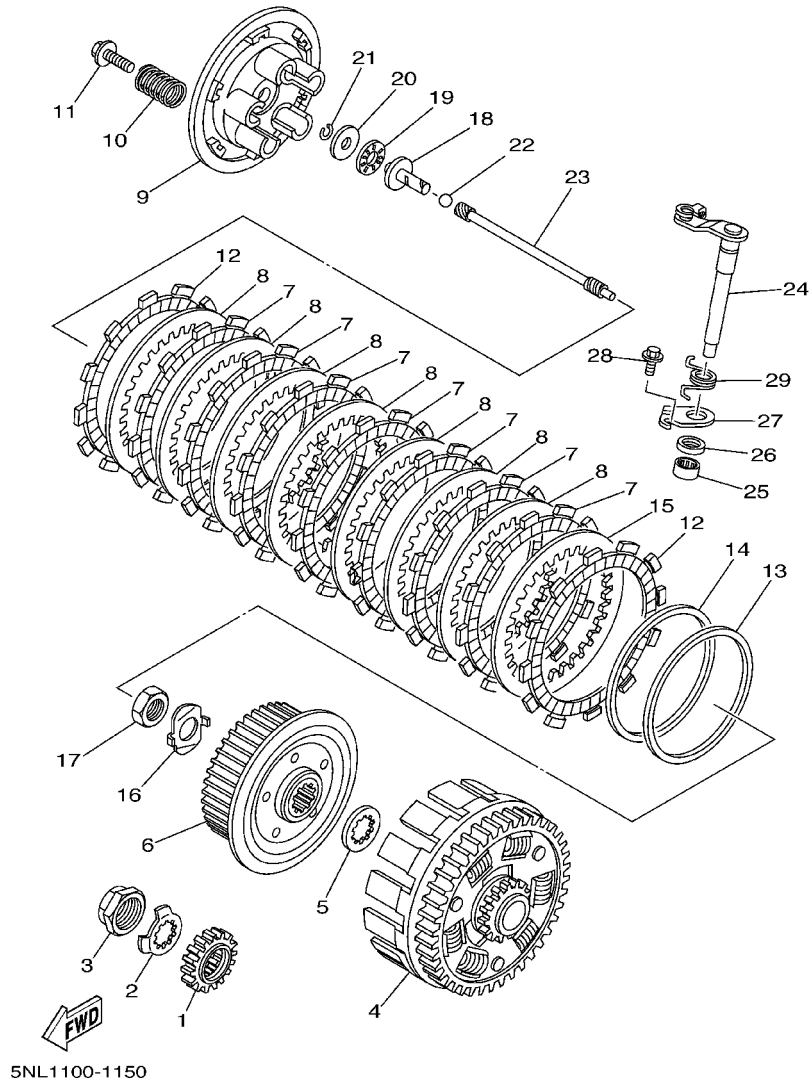
FIG. 14 STARTER




5SG1100-2140

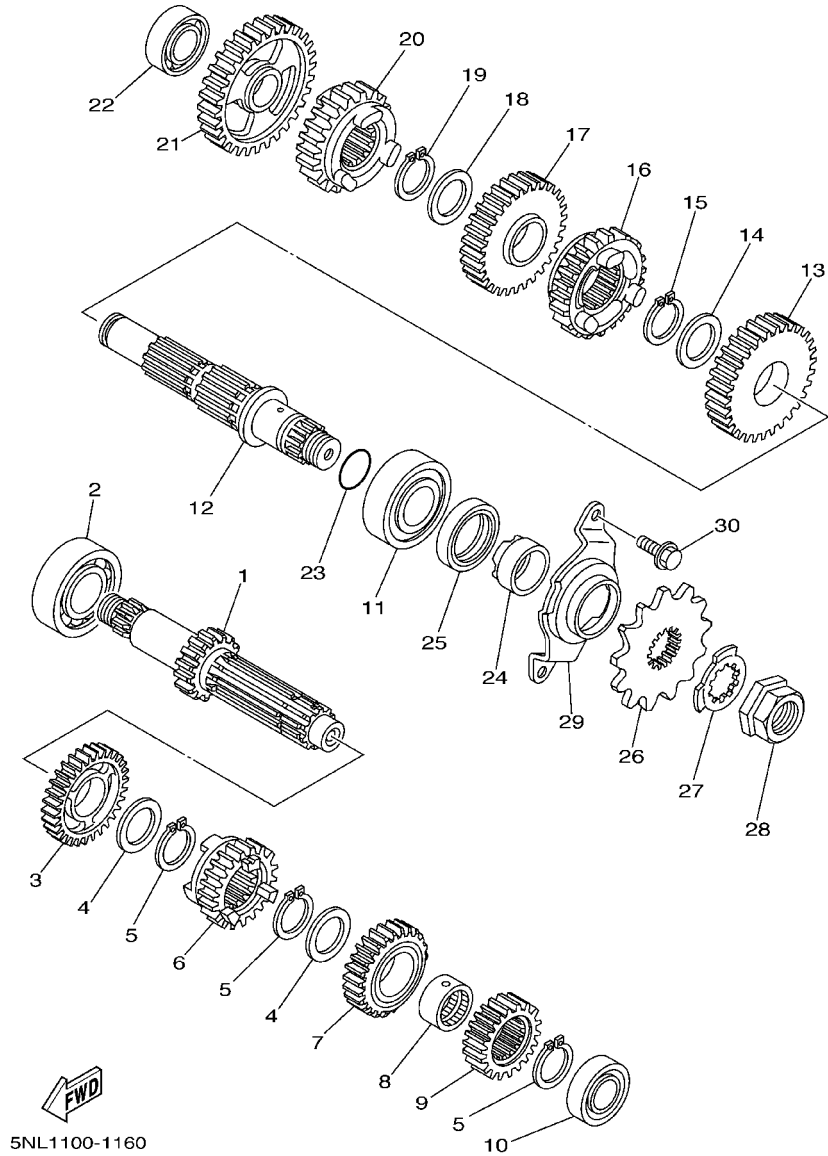
REF. NO.	PART NO.	DESCRIPTION	5PH5	5PH6	5PH8	REMARKS
1	5NL-15601-00	KICK SHAFT ASSY	1	1	1	
2	5NL-15641-00	.GEAR, KICK	1	1	1	
3	90201-20685	.WASHER, PLATE (0.5T)	1	1	1	
4	93410-20038	.CIRCLIP	1	1	1	
5	4GY-15671-00	.WHEEL, RATCHET	1	1	1	
6	90501-16016	.SPRING, COMPRESSION	1	1	1	
7	90201-167P7	.WASHER, PLATE	1	1	1	
8	99009-16400	.CIRCLIP	1	1	1	
9	90508-30743	.SPRING, TORSION	1	1	1	
10	5NL-15664-00	.GUIDE, SPRING	1	1	1	
11	90201-162H4	WASHER, PLATE	1	1	1	
12	5SG-15668-00	STOPPER	1	1	1	
13	214-15686-00	WASHER, LOCK	1	1	1	
14	90101-06001	BOLT	2	2	2	
15	93102-18278	OIL SEAL	1	1	1	
16	5NL-15651-00	GEAR, KICK IDLE	1	1	1	
17	90201-177G4	WASHER, PLATE	1	1	1	
18	99009-17400	CIRCLIP	1	1	1	
19	5NL-15620-00	KICK CRANK ASSY	1	1	1	
20	5NL-15621-00	.BOSS, KICK CRANK	1	1	1	
21	90501-12081	.SPRING, COMPRESSION	1	1	1	
22	93507-32009	.BALL	1	1	1	
23	90152-06010	.SCREW, COUNTERSUNK	1	1	1	
24	93210-17570	.O-RING	1	1	1	
25	90201-08326	WASHER, PLATE	1	1	1	
26	90109-082G0	BOLT	1	1	1	

FIG. 15 CLUTCH



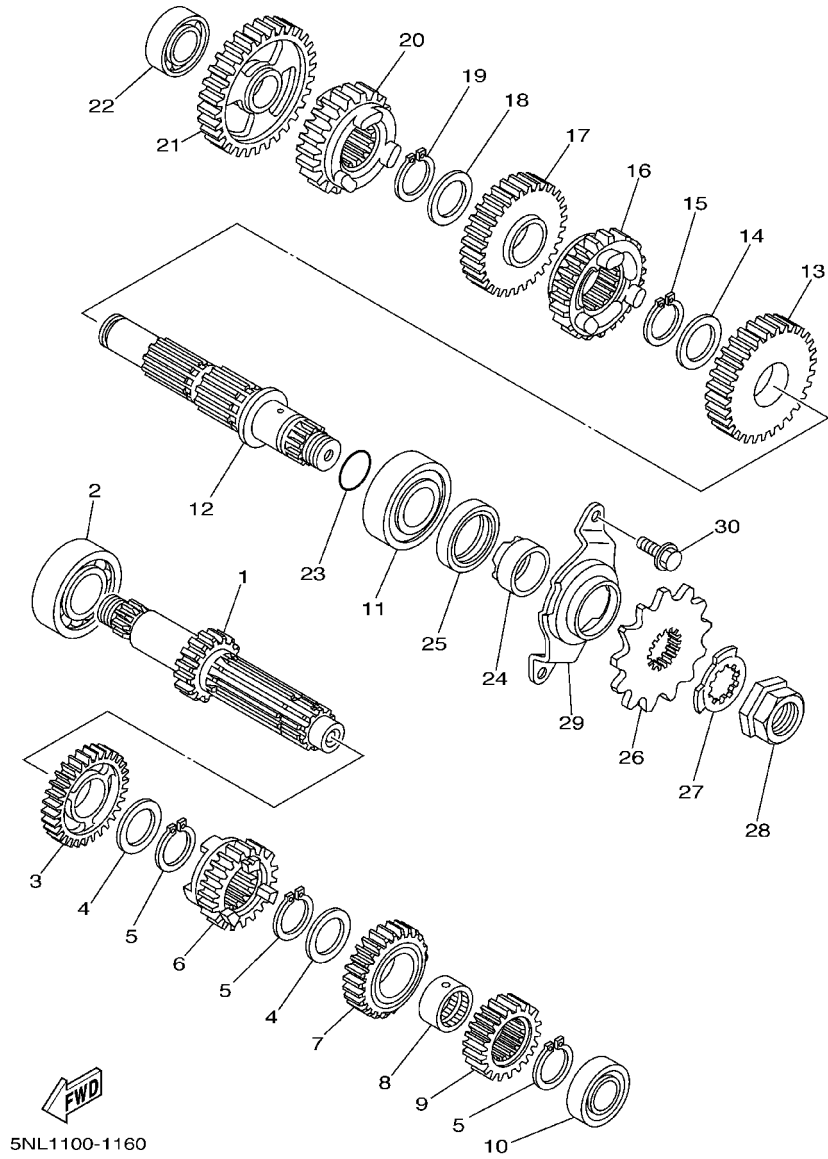
REF. NO.	PART NO.	DESCRIPTION	5PH5	5PH6	5PH8	REMARKS
1	5NL-16111-00	GEAR, PRIMARY DRIVE	1	1	1	
2	90215-20003	WASHER, LOCK	1	1	1	
3	90179-18001	NUT	1	1	1	
4	5NL-16150-10	PRIMARY DRIVEN GEAR COMP.	1	1	1	
5	5NL-16154-00	PLATE, THRUST 1	1	1	1	
6	5NL-16371-00	BOSS, CLUTCH	1	1	1	
7	5DH-16321-00	PLATE, FRICTION	7	7	7	
8	5NL-16325-00	PLATE, CLUTCH 2	7	7	7	
9	5HD-16351-00	PLATE, PRESSURE 1	1	1	1	
10	90501-220A0	SPRING, COMPRESSION	5	5	5	
11	90159-06092	SCREW, WITH WASHER	5	5	5	
12	3XJ-16321-00	PLATE, FRICTION	2	2	2	
13	5NL-16384-00	PLATE, SEAT	1	1	1	
14	5NL-16383-10	SPRING, CLUTCH BOSS	1	1	1	
15	5NL-16325-10	PLATE, CLUTCH 2	1	1	1	
16	90215-16289	WASHER, LOCK	1	1	1	
17	90170-16326	NUT	1	1	1	
18	5NL-16356-00	ROD, PUSH 1	1	1	1	
19	93340-21008	BEARING	1	1	1	
20	90201-080H1	WASHER, PLATE	1	1	1	
21	93440-07182	CIRCLIP	1	1	1	
22	93511-32027	BALL	1	1	1	
23	5NL-16357-00	ROD, PUSH 2	1	1	1	
24	5JG-16381-00	PUSH LEVER COMP.	1	1	1	
25	93317-11287	BEARING	1	1	1	
26	93102-12224	OIL SEAL	1	1	1	
27	4JT-16384-00	PLATE, SEAT	1	1	1	

FIG. 16 TRANSMISSION



REF. NO.	PART NO.	DESCRIPTION	5PH5	5PH6	5PH8	REMARKS
1	5PH-17411-10	AXLE, MAIN	1	1	1	
2	93306-20447	BEARING	1	1	1	
3	5PH-17151-00	GEAR,5TH PINION (27T)	1	1	1	
4	90209-20008	WASHER	2	2	2	
5	93410-22039	CIRCLIP	3	3	3	
6	5PH-17131-00	GEAR,3RD PINION (21T)	1	1	1	
7	5PH-17141-00	GEAR,4TH PINION (24T)	1	1	1	
8	90387-20006	COLLAR	1	1	1	
9	5NL-17121-00	GEAR, 2ND PINION (16T)	1	1	1	
10	93306-00320	BEARING	1	1	1	
11	93306-27208	BEARING	1	1	1	
12	5NL-17421-10	AXLE, DRIVE	1	1	1	
13	5NL-17221-00	GEAR, 2ND WHEEL (28T)	1	1	1	
14	90209-23012	WASHER	1	1	1	
15	93410-26067	CIRCLIP	1	1	1	
16	5PH-17241-00	GEAR,4TH WHEEL (25T)	1	1	1	
17	5PH-17231-00	GEAR,3RD WHEEL (28T)	1	1	1	
18	90209-20008	WASHER	1	1	1	
19	93410-22039	CIRCLIP	1	1	1	
20	5PH-17251-00	GEAR,5TH WHEEL (22T)	1	1	1	
21	5PH-17211-00	GEAR,1ST WHEEL (31T)	1	1	1	
22	93306-00317	BEARING	1	1	1	
23	93210-196A4	O-RING	1	1	1	
24	90387-22001	COLLAR	1	1	1	
25	93102-28008	OIL SEAL	1	1	1	
26	9383B-13218	SPROCKET, DRIVE (13T)	1	1	1	STD
	9383B-14222	SPROCKET, DRIVE (14T)			1	AP

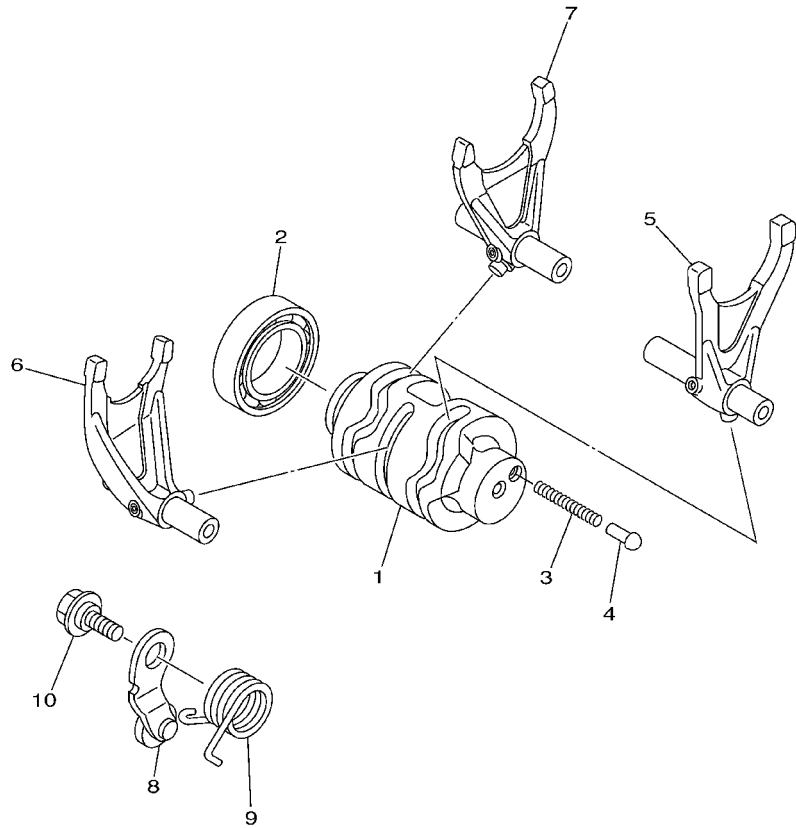
FIG. 16 TRANSMISSION



REF. NO.	PART NO.	DESCRIPTION	5PH5	5PH6	5PH8	REMARKS
27	90215-20003	WASHER, LOCK	1	1	1	
28	90179-18001	NUT	1	1	1	
29	5NL-17471-00	PLATE, COVER	1	1	1	
30	90105-06553	BOLT, FLANGE	2	2	2	

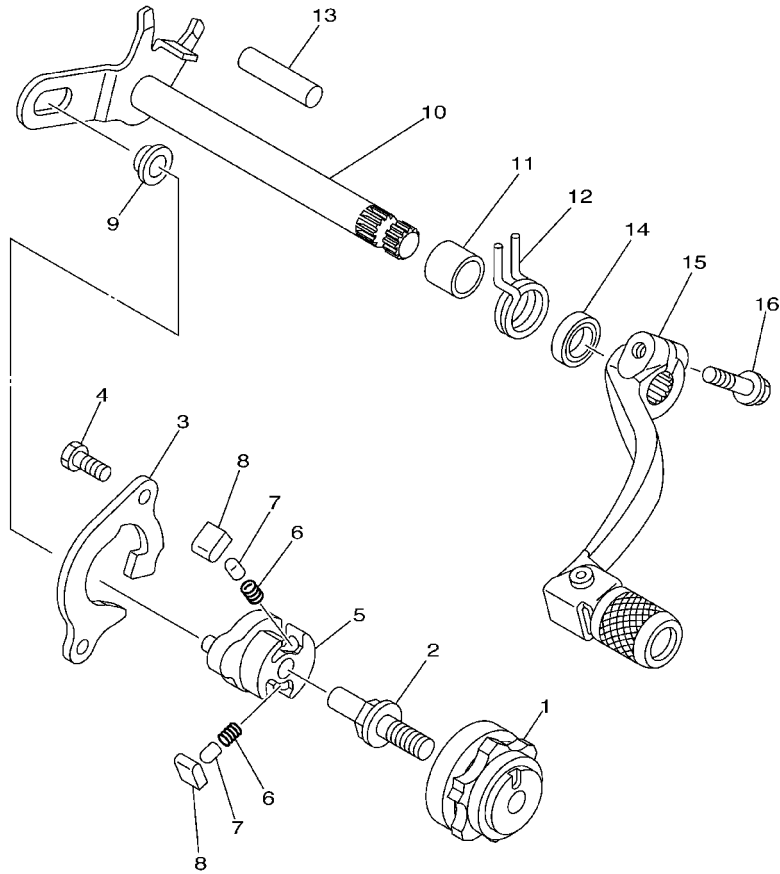
FIG. 17 SHIFT CAM. FORK

REF. NO.	PART NO.	DESCRIPTION	5PH5	5PH6	5PH8	REMARKS
1	5NL-18541-00	CAM, SHIFT	1	1	1	
2	93306-90501	BEARING	1	1	1	
3	90501-06022	SPRING, COMPRESSION	1	1	1	
4	4BA-18542-00	POINT, NEUTRAL	1	1	1	
5	5NL-18501-10	FORK, SHIFT 1	1	1	1	
6	5NL-18502-10	FORK, SHIFT 2	1	1	1	
7	5NL-18503-10	FORK, SHIFT 3	1	1	1	
8	3XK-18140-00	STOPPER LEVER ASSY	1	1	1	
9	90508-26561	SPRING, TORSION	1	1	1	
10	90109-063F8	BOLT	1	1	1	



5NL1100-1170

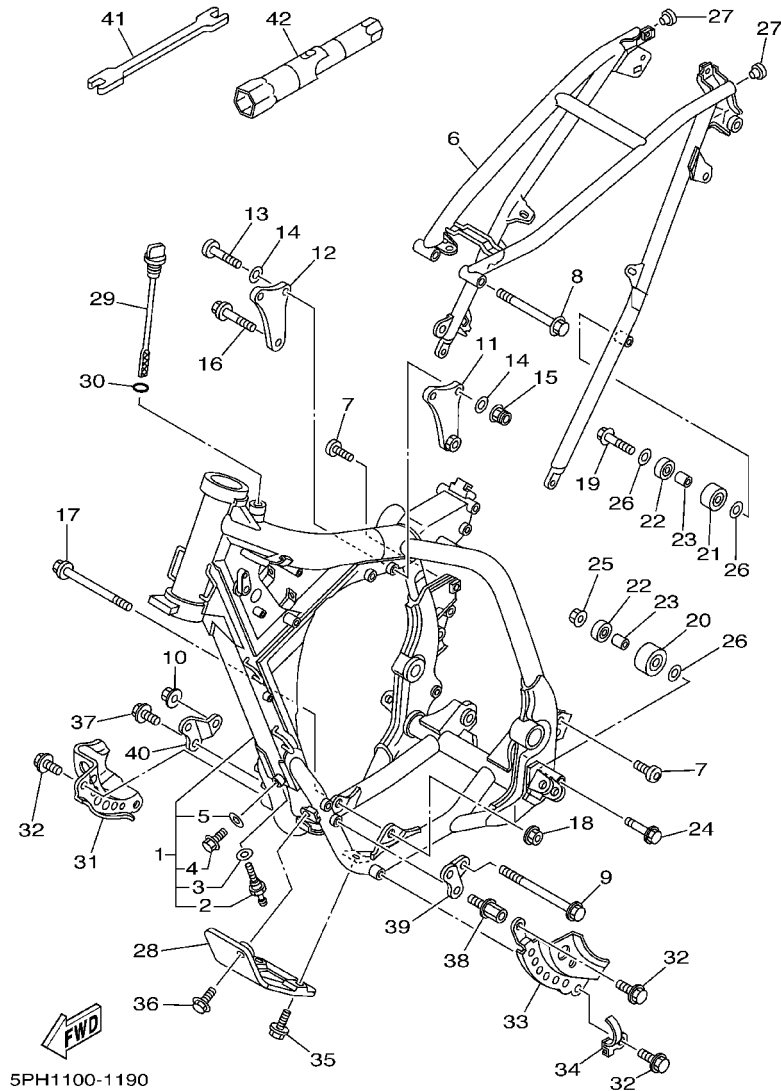
FIG. 18 SHIFT SHAFT



5NL1100-1180

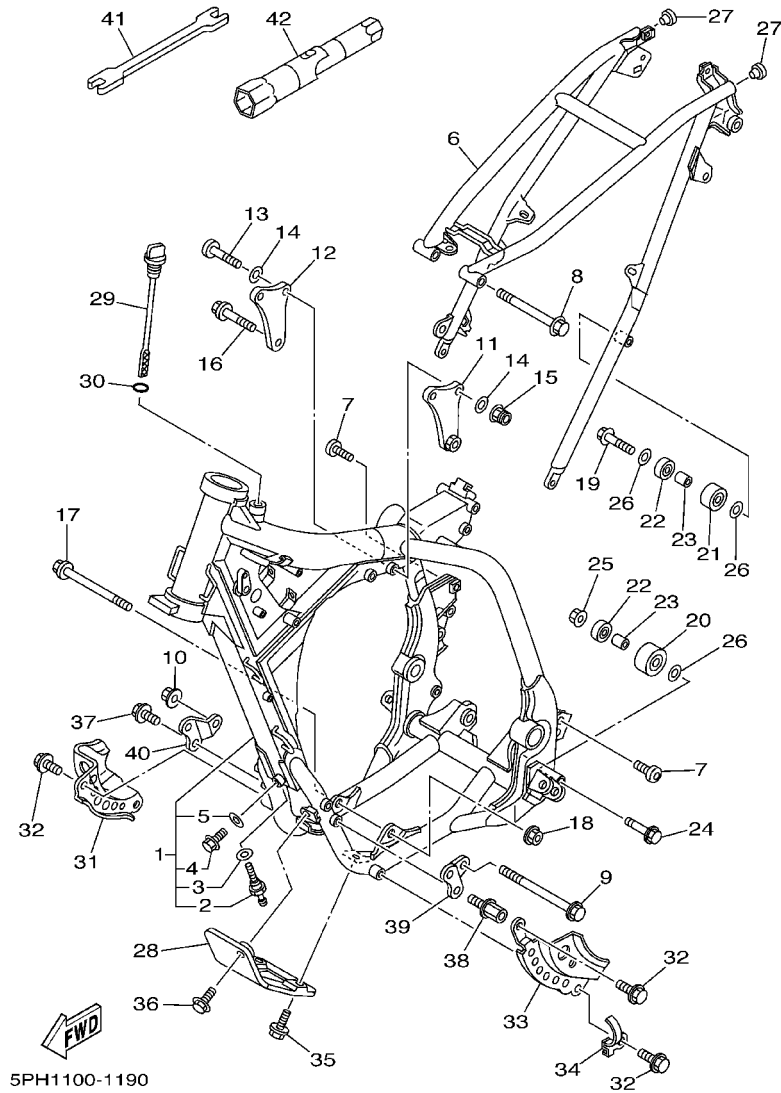
REF. NO.	PART NO.	DESCRIPTION	5PH5	5PH6	5PH8	REMARKS
1	4EW-18185-00	SEGMENT	1	1	1	
2	3XJ-18173-00	PIN, SHIFT	1	1	1	
3	5BE-18172-00	GUIDE, SHIFT	1	1	1	
4	90101-06664	BOLT	2	2	2	
5	5LP-18122-00	LEVER, SHIFT 2	1	1	1	
6	90501-052G5	SPRING, COMPRESSION	2	2	2	
7	3XJ-18184-00	PIN, PAWL	2	2	2	
8	3XJ-18182-00	PAWL, SHIFTER	2	2	2	
9	3XJ-18178-00	ROLLER, SHIFT LEVER	1	1	1	
10	5NL-18101-00	SHIFT SHAFT ASSY	1	1	1	
11	90387-124F4	COLLAR	1	1	1	
12	90508-291A8	SPRING, TORSION	1	1	1	
13	93608-33002	PIN, DOWEL	1	1	1	
14	93102-12224	OIL SEAL	1	1	1	
15	5NL-18110-00	SHIFT PEDAL ASSY	1	1	1	
16	95027-06020	BOLT, FLANGE	1	1	1	

FIG. 19 FRAME



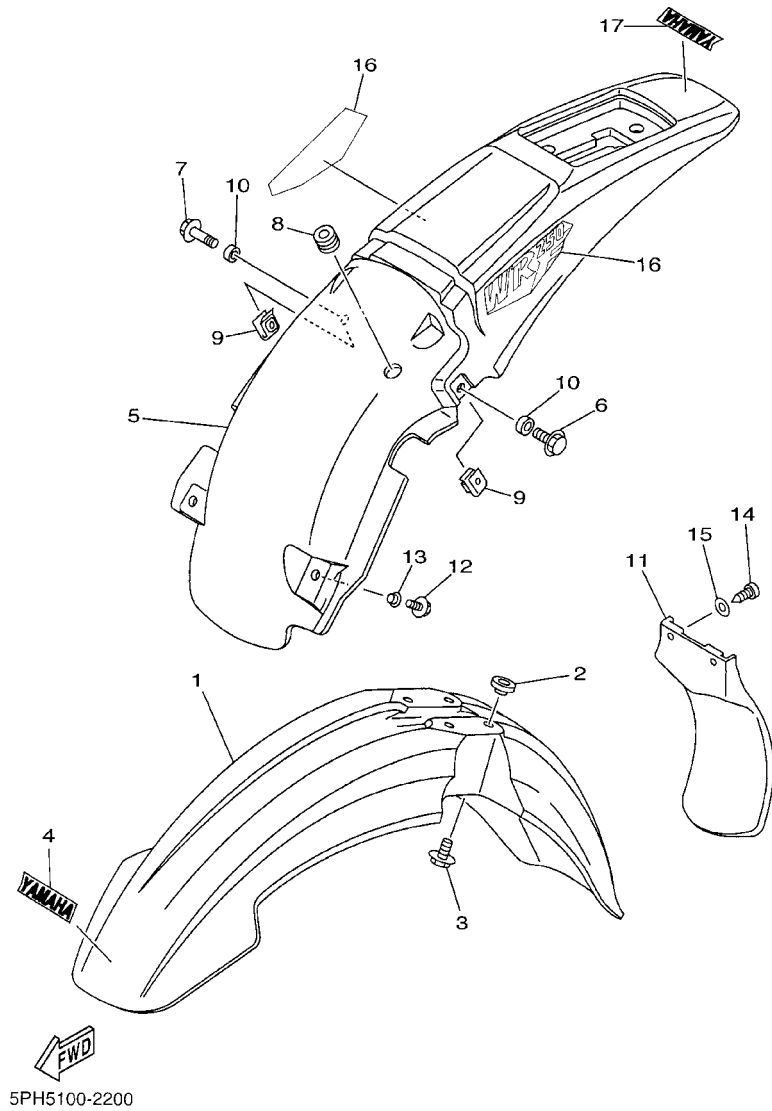
REF. NO.	PART NO.	DESCRIPTION	5PH5	5PH6	5PH8	REMARKS
1	5PH-21101-50-P0	FRONT FRAME COMP.	1	1	1	DPBMC
2	5BE-21756-00	.NET, FILTER	1	1	1	
3	90430-18130	.GASKET	1	1	1	
4	95827-08012	.BOLT, FLANGE	1	1	1	
5	90430-08119	.GASKET	1	1	1	
6	5NG-21190-00-P0	REAR FRAME COMP.	1	1	1	DPBMC
7	90110-08096	BOLT, HEXAGON SOCKET HEAD	2	2	2	
8	90105-08099	BOLT, FLANGE	1	1	1	
9	95817-10130	BOLT, FLANGE	1	1	1	
10	90185-10002	NUT, SELF-LOCKING	1	1	1	
11	5NL-21425-00	BRACKET, REAR UPPER 1	1	1	1	
12	5NL-21425-10	BRACKET, REAR UPPER 1	1	1	1	
13	92017-08055	BOLT, BUTTON HEAD	2	2	2	
14	90201-086P8	WASHER, PLATE	4	4	4	
15	90185-08169	NUT, SELF-LOCKING	2	2	2	
16	95817-10050	BOLT, FLANGE	1	1	1	
17	90105-10733	BOLT, FLANGE	1	1	1	
18	90185-10002	NUT, SELF-LOCKING	1	1	1	
19	95027-08040	BOLT, FLANGE	1	1	1	
20	3JD-22178-10	TENSIONER	1	1	1	
21	4EW-22178-00	TENSIONER	1	1	1	
22	93300-60804	BEARING	2	2	2	
23	90387-086N4	COLLAR	2	2	2	
24	95027-08065	BOLT, FLANGE	1	1	1	
25	95707-08500	NUT, FLANGE	1	1	1	
26	90201-086P8	WASHER, PLATE	3	3	3	
27	90338-18176	PLUG	2	2	2	

FIG. 19 FRAME

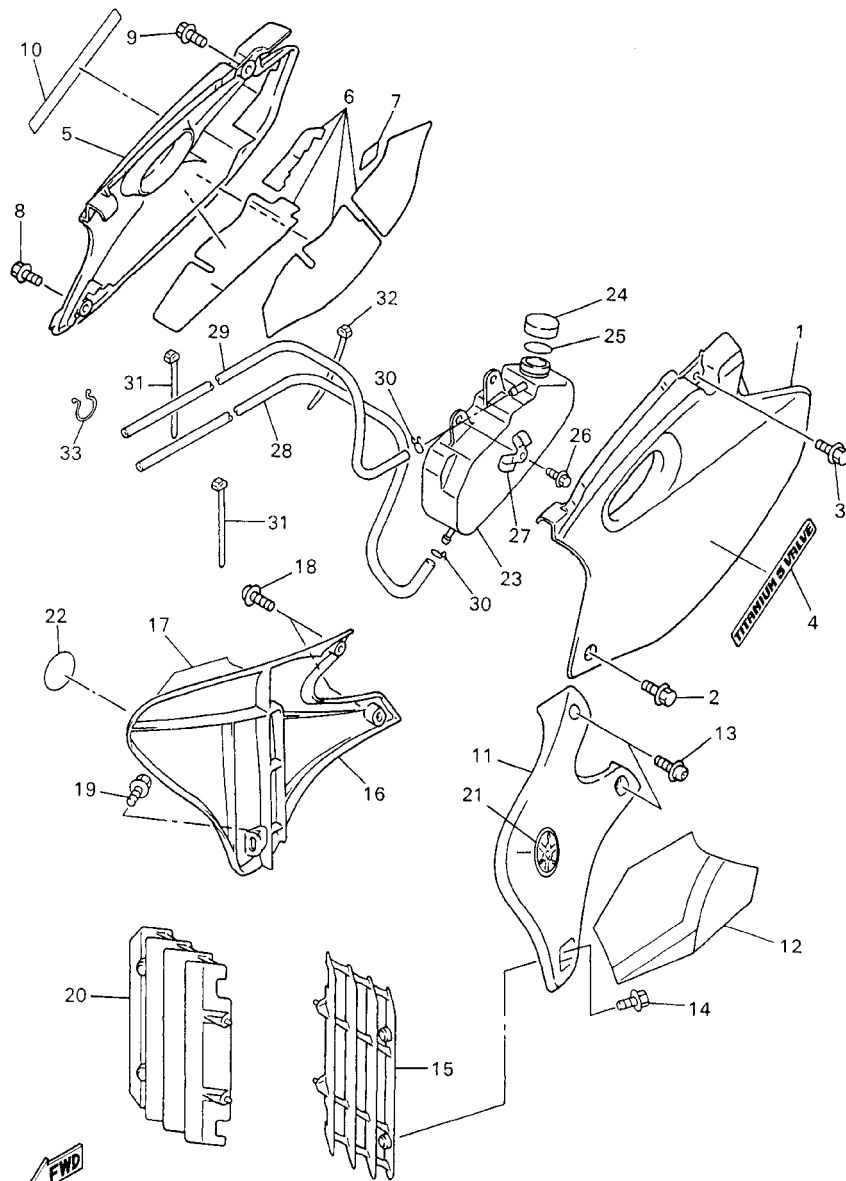


REF. NO.	PART NO.	DESCRIPTION	5PH5	5PH6	5PH8	REMARKS
28	5NL-21471-00	PROTECTOR, ENGINE	1	1	1	
29	5NL-15362-00	PLUG, OIL LEVEL	1	1	1	
30	93210-19123	O-RING	1	1	1	
31	5NL-2147A-00	GUARD, ENGINE 1	1	1	1	
32	95027-08012	BOLT, FLANGE	4	4	4	
33	5NG-2147A-10	GUARD, ENGINE 1	1	1	1	
34	5NG-21338-00	CLAMP	1	1	1	
35	95027-06012	BOLT, FLANGE	2	2	2	
36	90119-06001	BOLT, WITH WASHER	1	1	1	
37	95817-08016	BOLT, FLANGE	3	3	3	
38	5PH-21481-00	BOLT, ENGINE MOUNTING 1	1	1	1	
39	5NL-21417-00	BRACKET, FRONT LOWER 1	1	1	1	
40	5NL-21417-10	BRACKET, FRONT LOWER 1	1	1	1	
41	5ET-28166-00	WRENCH, HEXAGON	1	1	1	
42	5BE-2814F-00	BOX, SPARK PLUG	1	1	1	

FIG. 20 FENDER



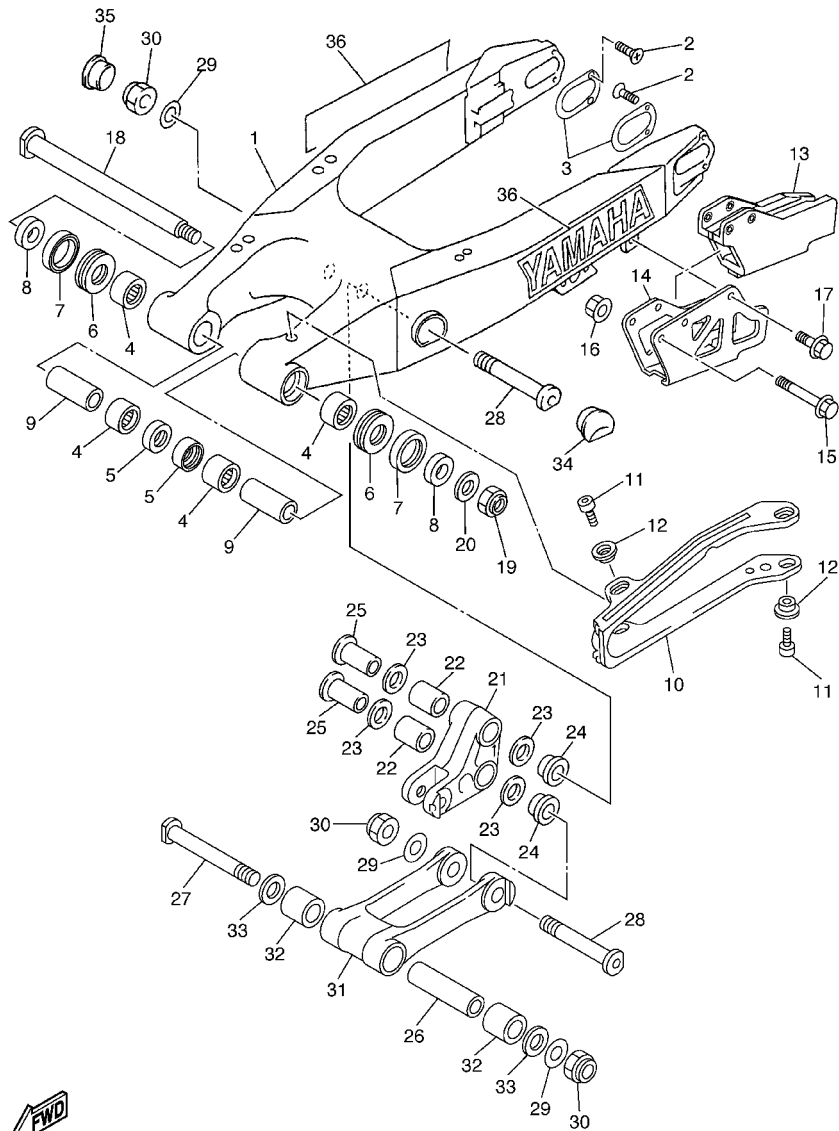
REF. NO.	PART NO.	DESCRIPTION	5PH5	5PH6	5PH8	REMARKS
1	5HD-21511-00	FENDER, FRONT	1	1	1	
2	3JD-21748-00	COLLAR	4	4	4	
3	90119-06096	BOLT, WITH WASHER	4	4	4	
4	4ES-2153E-01	EMBLEM, YAMAHA	1	1	1	
5	5BF-21611-00	FENDER, REAR	1	1	1	
6	90105-06154	BOLT, FLANGE	1	1	1	
7	90119-06038	BOLT, WITH WASHER	1	1	1	
8	90480-14323	GROMMET	1	1	1	
9	90183-06023	NUT, SPRING	2	2	2	
10	90387-0701A	COLLAR	2	2	2	
11	5BE-21642-00	GUARD, FLAP	1	1	1	
12	90105-06690	BOLT, FLANGE	2	2	2	
13	90387-06009	COLLAR	2	2	2	
14	97707-60016	SCREW, TAPPING	2	2	2	
15	90201-06557	WASHER, PLATE	2	2	2	
16	5PH-2163G-50	EMBLEM 1	2	2	2	
17	4ES-2153E-01	EMBLEM, YAMAHA	1	1	1	



5PH5100-2210

FIG. 21 SIDE COVER

REF. NO.	PART NO.	DESCRIPTION	5PH5	5PH6	5PH8	REMARKS
1	5BF-21711-00	COVER, SIDE 1	1	1	1	
2	95827-06016	BOLT, FLANGE	1	1	1	
3	90119-08238	BOLT, WITH WASHER	1	1	1	
4	5JG-21781-50	EMBLEM 1	1	1	1	
5	5BF-21721-00	COVER, SIDE 2	1	1	1	
6	5NG-2174A-50	INSULATOR, SIDE COVER	1	1	1	
7	3FY-21575-01	SEAL 1	1	1	1	
8	95827-06016	BOLT, FLANGE	1	1	1	
9	90119-08238	BOLT, WITH WASHER	1	1	1	
10	5JG-21781-50	EMBLEM 1	1	1	1	
11	5JG-21731-01	COVER, SIDE 3	1	1		U R FOR ZAF
12	5SF-2173E-01	GRAPHIC 1	1	1	1	
13	90159-06182	SCREW, WITH WASHER	2	2	2	
14	90159-06078	SCREW, WITH WASHER	1	1	1	
15	5PH-2172A-10	PANEL 1	1	1	1	
16	5JG-21741-01	COVER, SIDE 4	1	1		U R FOR ZAF
17	5SF-2173F-01	GRAPHIC 2	1	1	1	
18	90159-06182	SCREW, WITH WASHER	2	2	2	
19	90159-06078	SCREW, WITH WASHER	1	1	1	
20	5PH-2172A-10	PANEL 1	1	1	1	
21	5MV-2175C-00	TUNING FORK MARK	1	1	1	
22	5MV-2175C-00	TUNING FORK MARK	1	1	1	
23	5GS-21871-00	TANK, RECOVERY	1	1	1	
24	26H-21875-00	CAP	1	1	1	
25	26H-21874-00	GASKET	1	1	1	

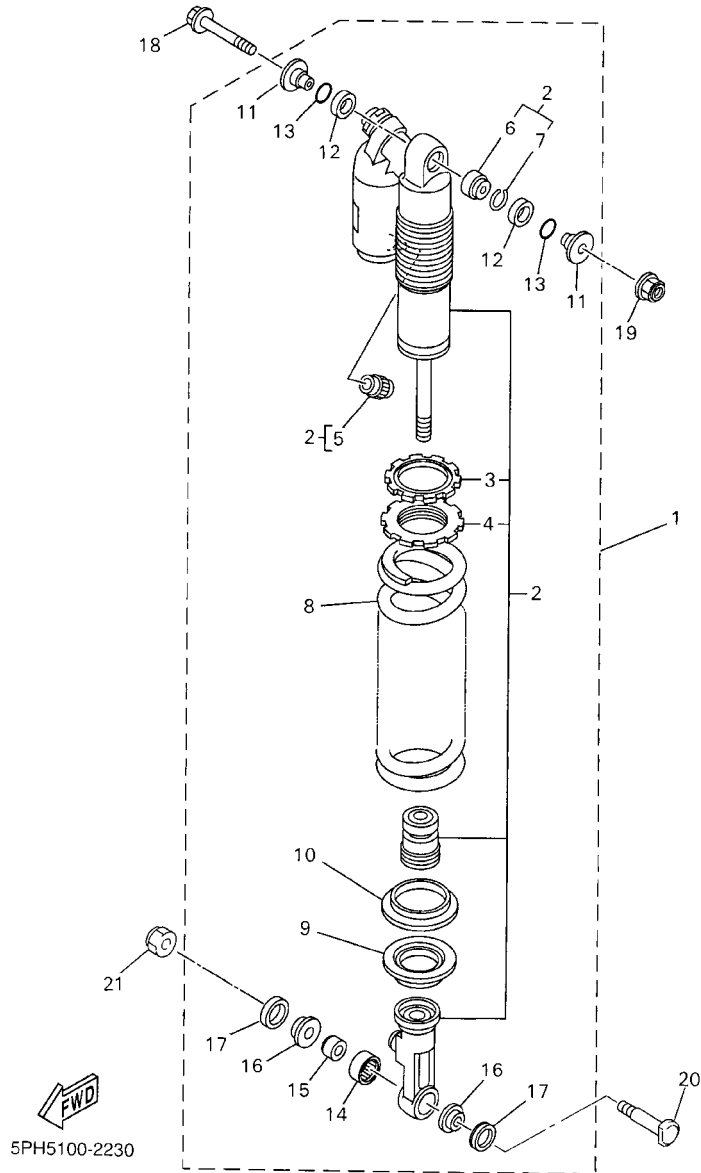


5SG1100-2220

FIG. 22 REAR ARM

REF. NO.	PART NO.	DESCRIPTION	5PH5	5PH6	5PH8	REMARKS
1	5NY-22110-00	REAR ARM COMP.	1	1	1	
2	90151-04048	SCREW, COUNTERSUNK	4	4	4	
3	5NY-22355-00	PATCH	2	2	2	
4	93317-22262	BEARING	4	4	4	
5	93106-22019	OIL SEAL (DC 22-28-8)	2	2	2	
6	93342-22217	BEARING	2	2	2	
7	93109-28043	OIL SEAL	2	2	2	
8	90387-18005	COLLAR	2	2	2	
9	90387-18004	COLLAR	2	2	2	
10	5MV-22151-00	SEAL, GUARD	1	1	1	
11	91317-05008	BOLT	4	4	4	
12	5JG-22156-00	WASHER, PLATE	4	4	4	
13	4XM-22199-00	SUPPORT, CHAIN	1	1	1	
14	4XM-22128-00	COVER, THRUST 1	1	1	1	
15	95027-06050	BOLT, FLANGE	2	2	2	
16	90179-06568	NUT	2	2	2	
17	95027-06010	BOLT, FLANGE	1	1	1	
18	5NY-22141-00	SHAFT, PIVOT	1	1	1	
19	90185-16127	NUT, SELF-LOCKING	1	1	1	
20	90201-160F6	WASHER, PLATE	1	1	1	
21	5NY-2217A-00	ARM, RELAY	1	1	1	
22	93315-32056	BEARING	2	2	2	
23	93109-20076	OIL SEAL	4	4	4	
24	90387-16005	COLLAR	2	2	2	
25	90387-16007	COLLAR	2	2	2	
26	90387-167Y9	COLLAR	1	1	1	
27	5NY-22121-00	SHAFT 1	1	1	1	

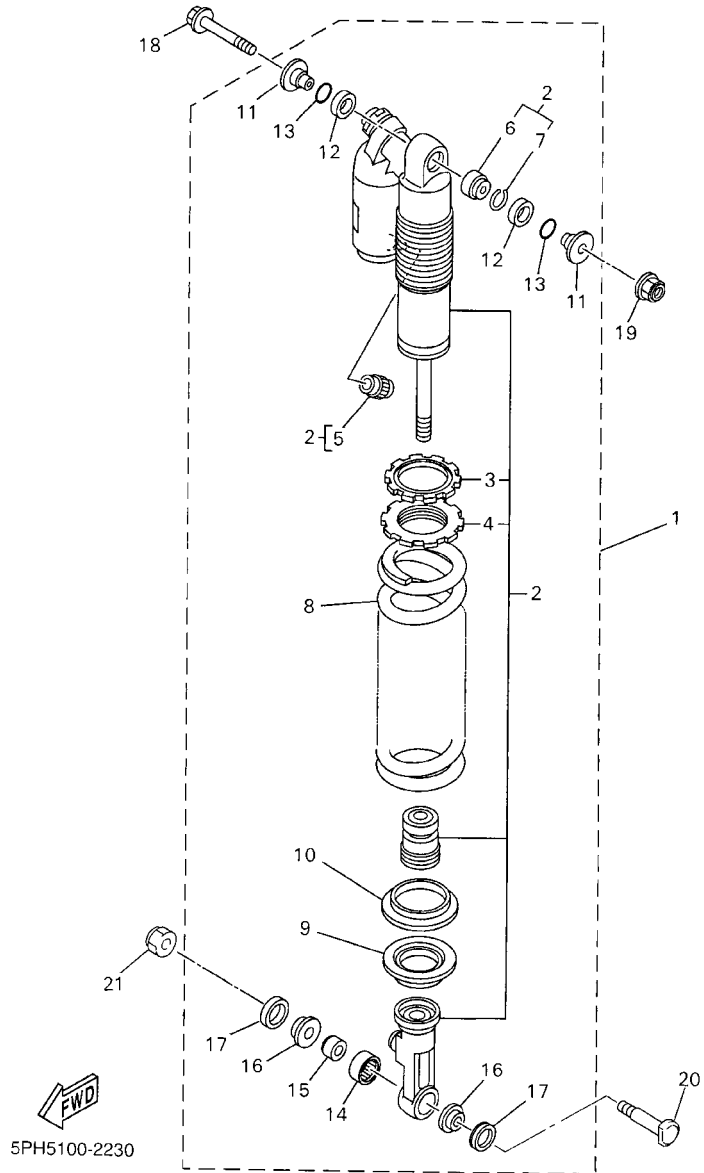
FIG. 23 REAR SUSPENSION



REF. NO.	PART NO.	DESCRIPTION	5PH5	5PH6	5PH8	REMARKS
1	5PH-22210-80	SHOCK ABSORBER ASSY, REAR			1	UR FOR ZAF
2	5PH-22201-80	.DAMPER SUB ASSY			1	UR FOR ZAF
3	3SP-22234-00	..GUIDE, SPRING 3	1	1	1	
4	3SP-22213-00	..SEAT, SPRING UPPER	1	1	1	
5	509-23184-L0	..CAP, AIR VALVE	1	1	1	
6	4JX-22226-00	..BUSH, SHOCK ABSORBER LOWER	1	1	1	
7	5DH-23183-00	..CIRCLIP	1	1	1	
8	5DH-22212-20	.SPRING (K=4.8)		1	1	UR FOR ZAF
9	5DH-22214-00	..GUIDE, SPRING 1	1	1	1	
10	5MV-22224-00	..GUIDE, SPRING 2	1	1	1	
11	5DH-22253-00	..COLLAR, DISTANCE	2	2	2	
12	3JE-22475-00	.SEAL, DUST	2	2	2	
13	4EW-22474-00	.SEAL, RING	2	2	2	
14	5MV-22176-00	..BEARING	1	1	1	
15	5MV-22184-00	.BUSH	1	1	1	
16	5MV-22253-00	..COLLAR, DISTANCE	2	2	2	
17	5NY-22475-00	.SEAL, DUST	2	2	2	
18	90105-10323	BOLT, FLANGE	1	1	1	
19	95607-10200	NUT, SELF-LOCKING	1	1	1	
20	5NY-22241-00	BOLT 1	1	1	1	

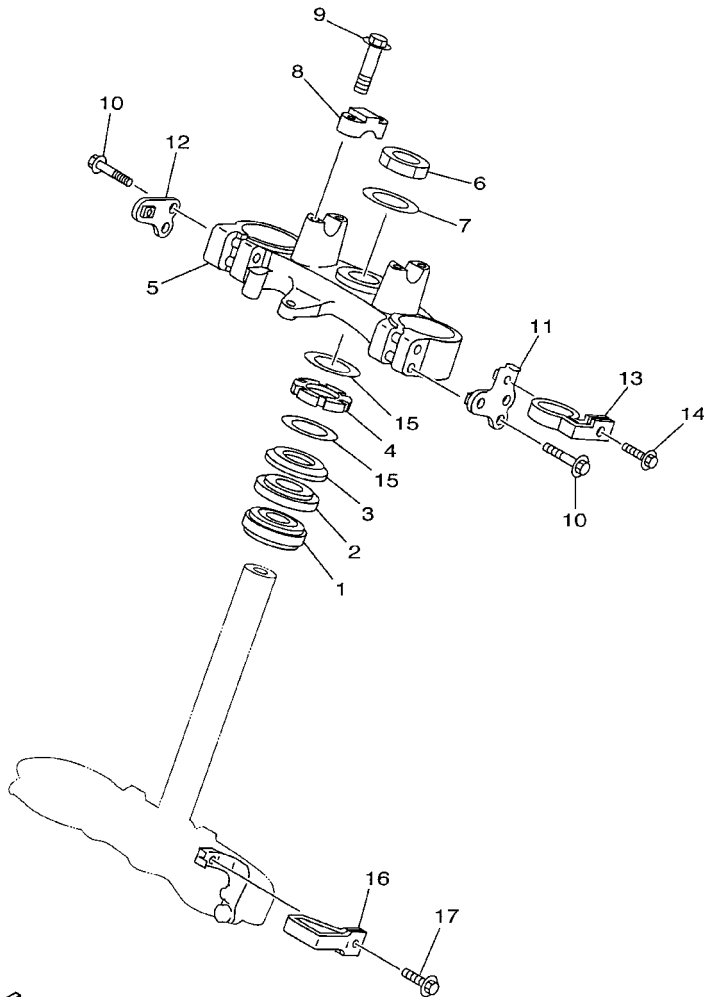
D9

FIG. 23 REAR SUSPENSION



REF. NO.	PART NO.	DESCRIPTION	5PH5	5PH6	5PH8	REMARKS
21	90185-10060	NUT, SELF-LOCKING	1	1	1	

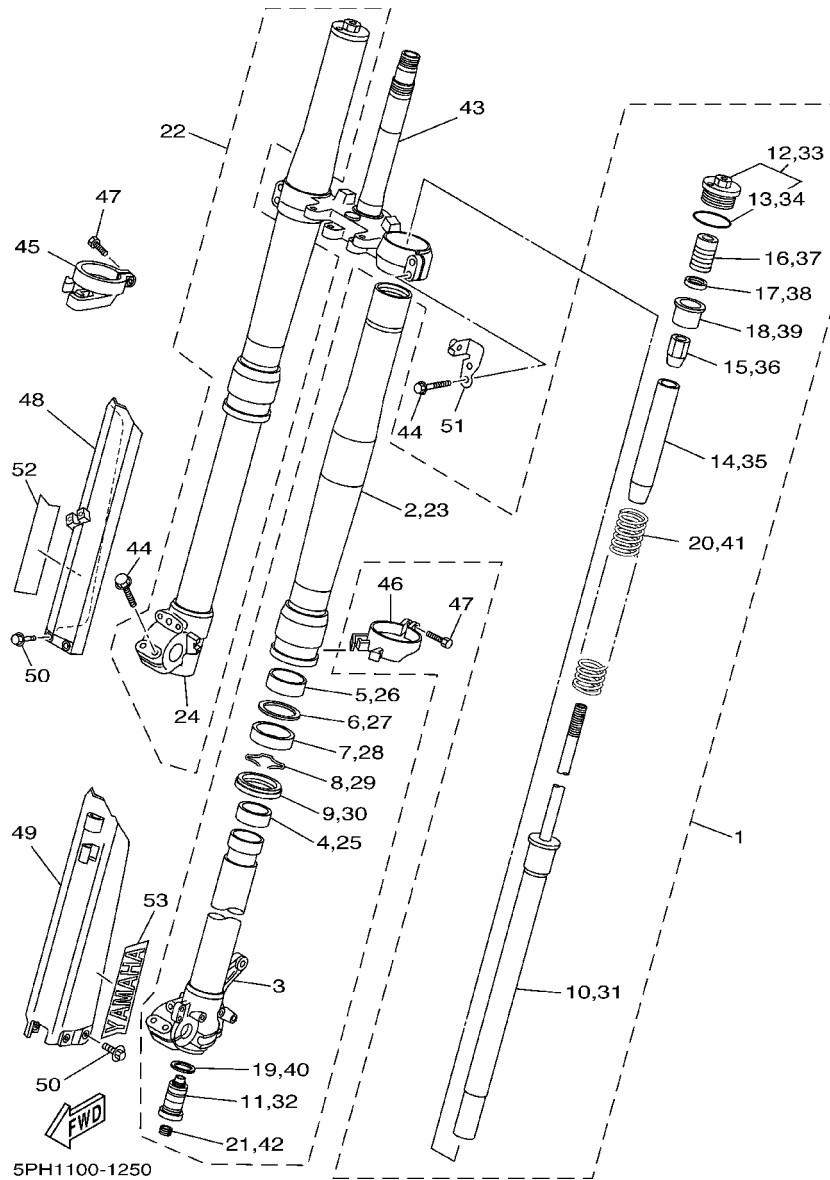
FIG. 24 STEERING



FWD
5PH5100-2240

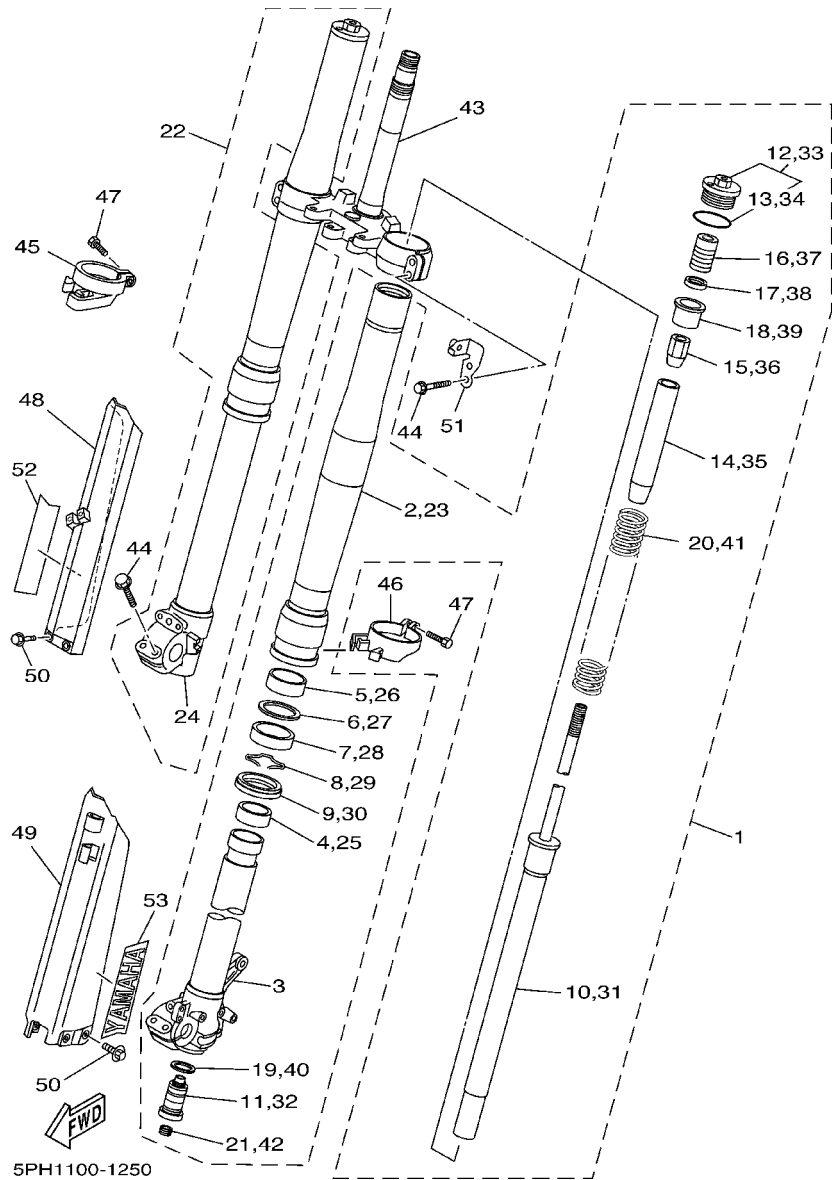
REF. NO.	PART NO.	DESCRIPTION	5PH5	5PH6	5PH8	REMARKS
1	93332-00081	BEARING	1	1	1	
2	93332-00068	BEARING	1	1	1	
3	4EW-23416-00	COVER, BALL RACE 2	1	1	1	
4	90179-28650	NUT	1	1	1	
5	5PH-23435-00	CROWN, HANDLE	1	1	1	
6	90170-24373	NUT	1	1	1	
7	90201-247L2	WASHER, PLATE	1	1	1	
8	3SP-23441-00	HOLDER, HANDLE UPPER	2	2	2	
9	95027-08035	BOLT, FLANGE	4	4	4	
10	95027-08040	BOLT, FLANGE	4	4	4	
11	5NG-2831V-00	STAY, HEAD LIGHT 1	1	1	1	
12	4GY-2832V-00	STAY, HEAD LIGHT 2	1	1	1	
13	4GY-23389-00	GUIDE, CABLE	1	1	1	
14	90105-05361	BOLT, FLANGE	1	1	1	
15	90201-286K9	WASHER, PLATE	2	2	2	
16	4DA-23389-00	GUIDE, CABLE	1	1	1	
17	90119-05071	BOLT, WITH WASHER	1	1	1	

FIG. 25 FRONT FORK



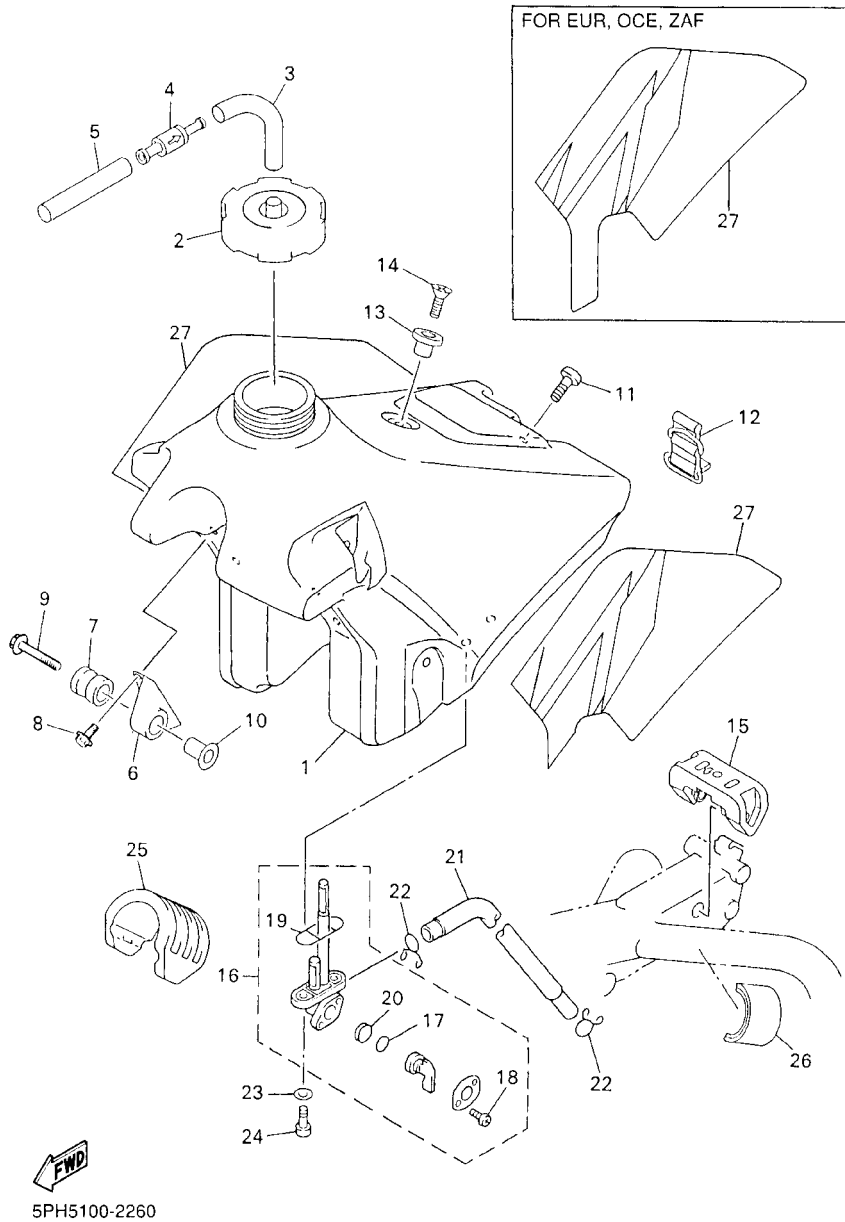
REF. NO.	PART NO.	DESCRIPTION	5PH5	5PH6	5PH8	REMARKS
1	5PH-23102-80	FRONT FORK ASSY (L.H)			1	FOR ZAF
2	5HD-23136-L0	.TUBE, OUTER (RIGHT)	1	1	1	
3	5DH-23120-L0	.INNER TUBE COMP.2	1	1	1	
4	5ET-23171-L0	.PISTON, FRONT FORK	1	1	1	
5	5ET-23125-L0	.METAL, SLIDE 1	1	1	1	
6	4SS-23146-L0	.WASHER, OIL SEAL	1	1	1	
7	5ET-23145-L0	.OIL SEAL	1	1	1	
8	4SS-23153-L0	.RING, SNAP	1	1	1	
9	5HD-23144-L0	.SEAL, DUST	1	1	1	
10	5NG-23170-60	.CYLINDER COMP., FRONT FORK	1	1	1	
11	5PH-2316A-80	.VALVE COMP.			1	FOR ZAF
12	5NY-23111-L0	.BOLT, CAP	1	1	1	
13	93210-42263	.O-RING	1	1	1	
14	5DH-23142-L0	.SEAT, SPRING UPPER	1	1	1	
15	5HD-23393-L0	.NUT, SPECIAL	1	1	1	
16	5MV-23195-L0	.RUBBER	1	1	1	
17	5DH-23149-L0	.WASHER, SPRING UPPER	1	1	1	
18	5DH-23118-L0	.SPACER	1	1	1	
19	4SS-23158-L0	.GASKET	1	1	1	
20	4XM-23141-L0	.SPRING, FRONT FORK (K=0.41)			1	FOR ZAF
21	3JD-2312G-L0	.PLUG	1	1	1	

FIG. 25 FRONT FORK



REF. NO.	PART NO.	DESCRIPTION	5PH5	5PH6	5PH8	REMARKS
22	5PH-23103-80	FRONT FORK ASSY (R.H)			1	FOR ZAF
23	5HD-23136-L0	.TUBE, OUTER (RIGHT)	1	1	1	
24	5BF-23110-L0	.INNER TUBE COMP.1	1	1	1	
25	5ET-23171-L0	.PISTON, FRONT FORK	1	1	1	
26	5ET-23125-L0	.METAL, SLIDE 1	1	1	1	
27	4SS-23146-L0	.WASHER, OIL SEAL	1	1	1	
28	5ET-23145-L0	.OIL SEAL	1	1	1	
29	4SS-23153-L0	.RING, SNAP	1	1	1	
30	5HD-23144-L0	.SEAL, DUST	1	1	1	
31	5NG-23170-60	.CYLINDER COMP., FRONT FORK	1	1	1	
32	5PH-2316A-80	.VALVE COMP.			1	FOR ZAF
33	5NY-23111-L0	BOLT, CAP	1	1	1	
34	93210-42263	.O-RING	1	1	1	
35	5DH-23142-L0	.SEAT, SPRING UPPER	1	1	1	
36	5HD-23393-L0	.NUT, SPECIAL	1	1	1	
37	5MV-23195-L0	.RUBBER	1	1	1	
38	5DH-23149-L0	.WASHER, SPRING UPPER	1	1	1	
39	5DH-23118-L0	.SPACER	1	1	1	
40	4SS-23158-L0	.GASKET	1	1	1	
41	4XM-23141-L0	.SPRING, FRONT FORK (K=0.41)			1	FOR ZAF
42	3JD-2312G-L0	.PLUG	1	1	1	
43	5SG-23340-00	UNDER BRACKET COMP.	1	1	1	
44	5NY-23346-L0	BOLT 1	8	8	8	

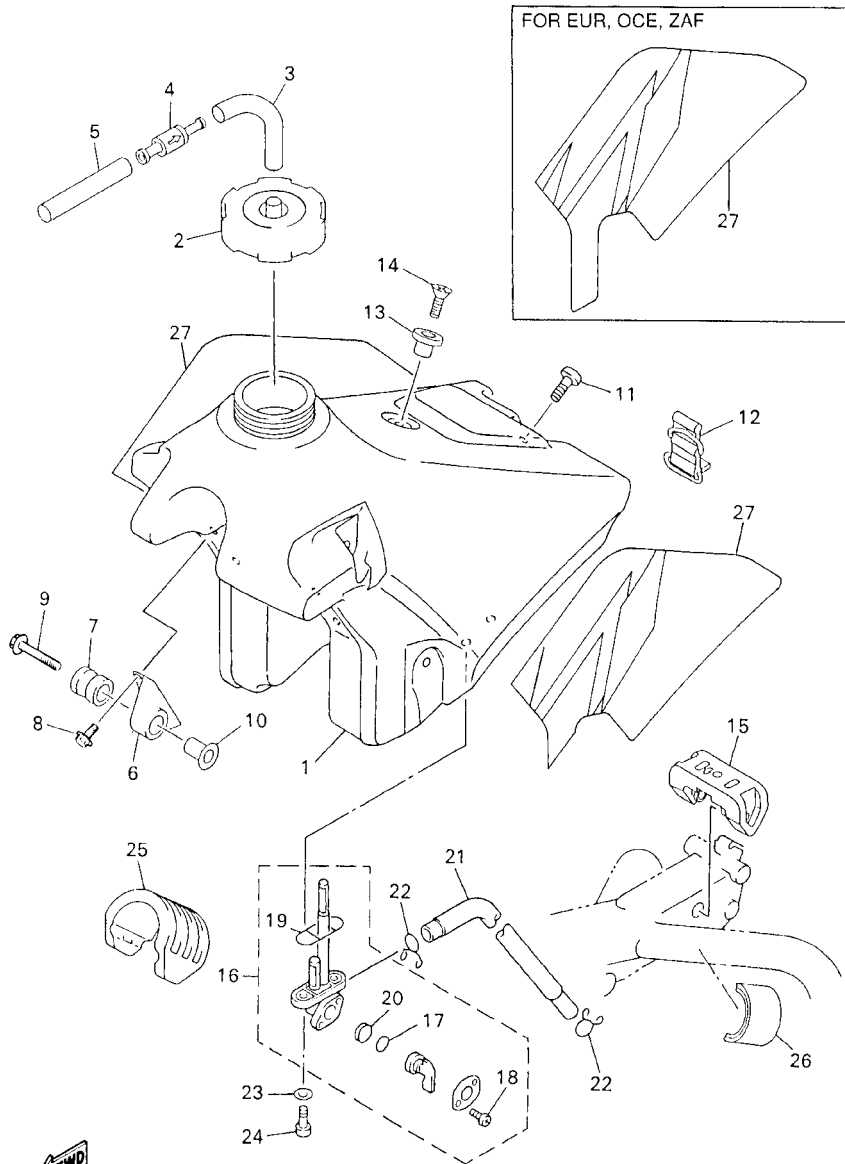
FIG. 26 FUEL TANK



5PH5100-2260

REF. NO.	PART NO.	DESCRIPTION	5PH5	5PH6	5PH8	REMARKS
1	5JG-24110-50	FUEL TANK COMP.		1	1	FOR ZAF
2	5MV-24610-00	CAP ASSY	1	1	1	
3	90445-09220	HOSE	1	1	1	
4	3XJ-24380-00	PIPE JOINT ASSY	1	1	1	
5	90445-09109	HOSE	1	1	1	
6	24X-24144-00	HOLDER, DAMPER	2	2	2	
7	90480-18549	GROMMET	2	2	2	
8	95027-06016	BOLT, FLANGE	4	4	4	
9	90119-06214	BOLT, WITH WASHER	2	2	2	
10	3JD-24186-00	WASHER, SPECIAL	2	2	2	
11	98907-06020	SCREW, BIND	1	1	1	
12	5SF-24173-00	BAND, TANK FITTING 1	1	1	1	
13	4EW-2412F-00	BRACKET, SEAT	1	1	1	
14	98707-06025	SCREW, FLAT HEAD	1	1	1	
15	4SS-24181-00	DAMPER, LOCATING 1	1	1	1	
16	2GU-24500-01	FUEL COCK ASSY 1	1	1	1	
17	3AJ-24534-00	.SEAL, COCK	1	1	1	
18	97801-03008	.SCREW, PAN HEAD	2	2	2	
19	4X8-24512-00	.O-RING	1	1	1	
20	3AJ-24523-00	.VALVE PACKING	1	1	1	
21	90445-11002	HOSE (L195)		1	1	FOR ZAF
22	90467-10008	CLIP	2	2	2	
23	90202-05193	WASHER, PLATE	2	2	2	
24	90149-06011	SCREW	2	2	2	
25	5BE-24182-00	DAMPER, LOCATING 2	1	1	1	

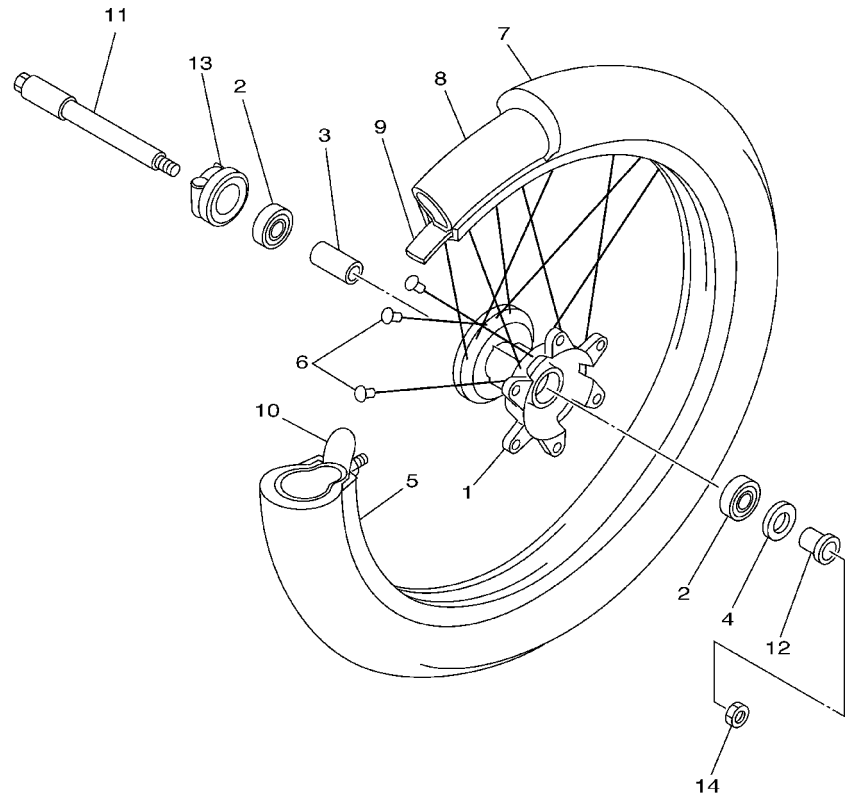
FIG. 26 FUEL TANK



5PH5100-2260

REF. NO.	PART NO.	DESCRIPTION	5PH5	5PH6	5PH8	REMARKS
26	3V6-22358-00	SEAL 1	2	2	2	
27	5SF-24240-01	GRAPHIC SET		1	1	FOR ZAF

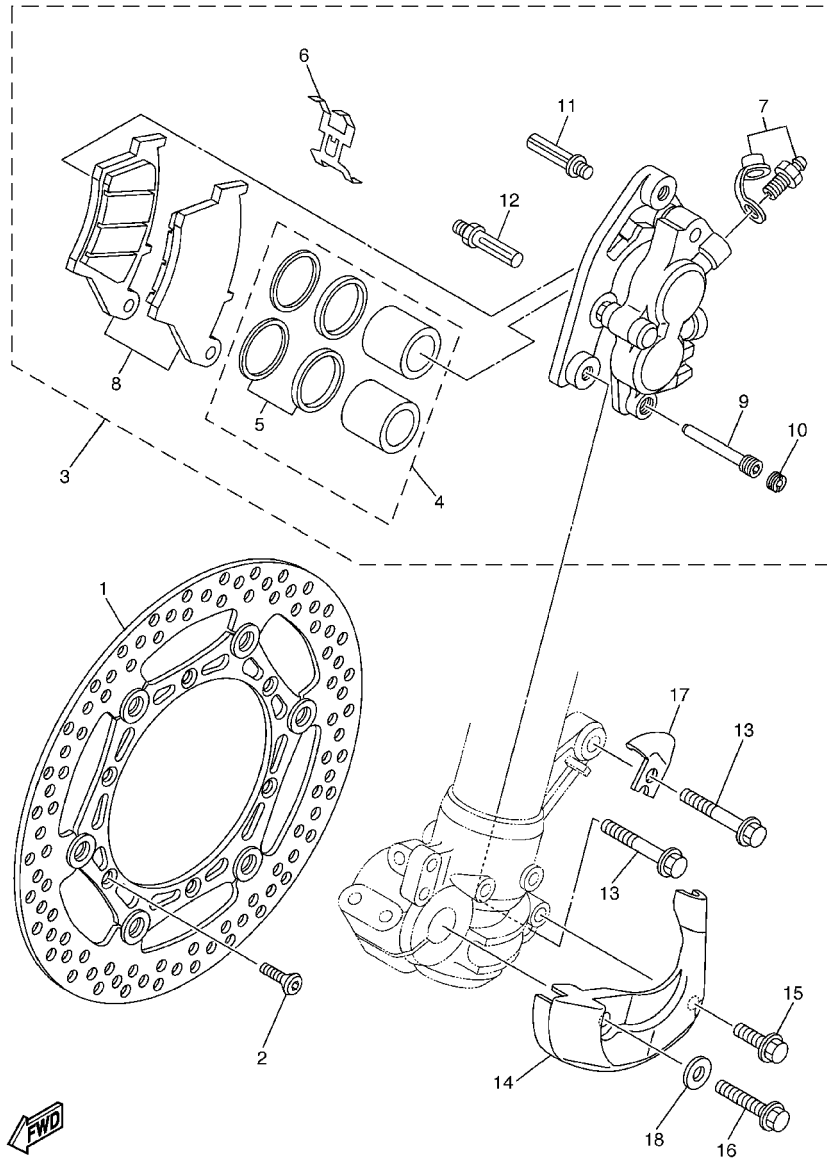
FIG. 28 FRONT WHEEL



REF. NO.	PART NO.	DESCRIPTION	5PH5	5PH6	5PH8	REMARKS
1	5NG-25111-50	HUB, FRONT	1	1	1	
2	93306-90403	BEARING	2	2	2	
3	5NY-25117-00	SPACER, BEARING	1	1	1	
4	93102-26468	OIL SEAL	1	1	1	
5	94416-21005	RIM (1.60-21)	1	1	1	
6	5NY-25104-00	SPOKE SET, FRONT	1	1	1	
7	*	TYRE (80/100-21 51M D739FA)	1		1	
8	*	TUBE (80/100-21 TR4)	1		1	
9	94309-21161	BAND, RIM (70-80/100-21)	1		1	
10	5SF-25394-00	SPACER, BEAD	1	1	1	
11	5BE-25181-00	AXLE, WHEEL	1	1	1	
12	5NY-25183-00	COLLAR, WHEEL	1	1	1	
13	5NG-25190-50	GEAR UNIT ASSY	1	1	1	
14	90179-16672	NUT	1	1	1	


5PH1100-1280

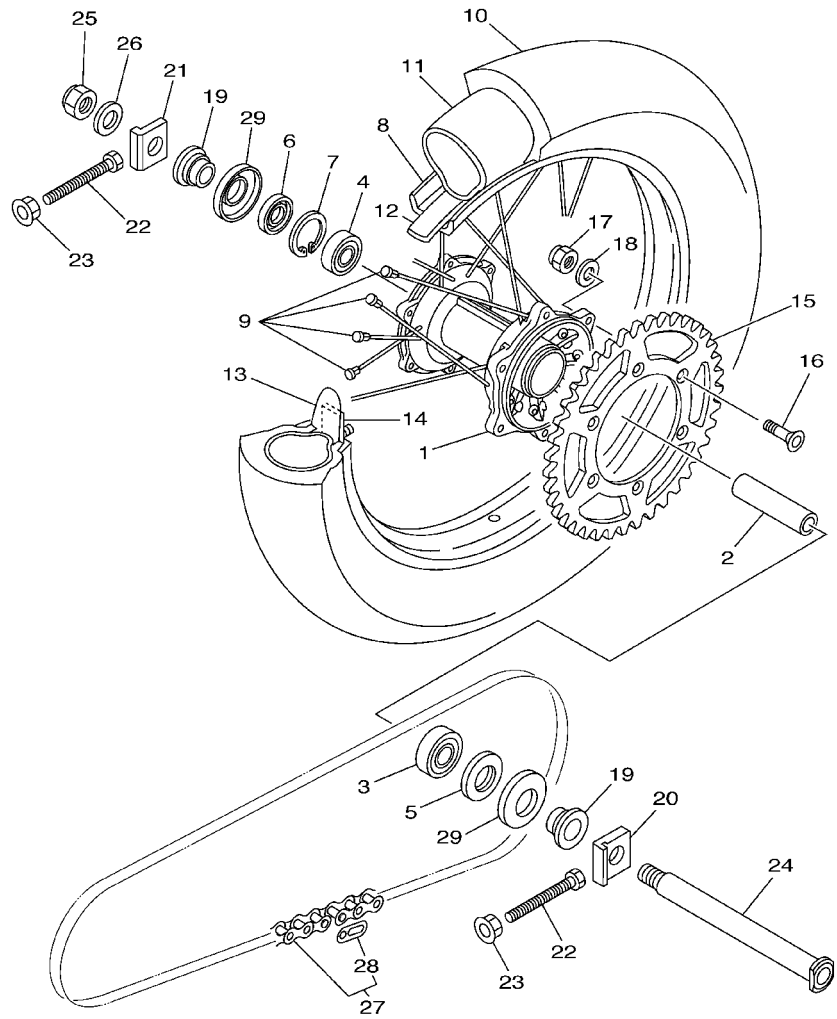
FIG. 29 FRONT BRAKE CALIPER



5SG1100-2290

REF. NO.	PART NO.	DESCRIPTION	5PH5	5PH6	5PH8	REMARKS
1	5MV-2581T-00	DISC BRAKE ASSY	1	1	1	
2	90149-06327	SCREW	6	6	6	
3	5MV-2580T-10	CALIPER ASSY (LEFT)	1	1	1	
4	4EW-W0057-00	.PISTON ASSY, CALIPER	1	1	1	
5	3JD-W0047-00	..CALIPER SEAL KIT	1	1	1	
6	5DH-25919-00	.SUPPORT, PAD	1	1	1	
7	1UY-W0048-50	.BLEED SCREW KIT	1	1	1	
8	5MV-W0045-00	.BRAKE PAD KIT	1	1	1	
9	5DH-25933-00	.PIN, PAD	1	1	1	
10	5DH-25916-00	.PLUG	1	1	1	
11	3SP-25926-51	.BOLT	1	1	1	
12	3SP-25914-51	.PIN, SLIDE	1	1	1	
13	90105-08659	BOLT, FLANGE	2	2	2	
14	5DH-2314E-00	COVER, HOSE	1	1	1	
15	95827-06012	BOLT, FLANGE	1	1	1	
16	95027-08020	BOLT, FLANGE	1	1	1	
17	5DH-25875-00	HOLDER, BRAKE HOSE 1	1	1	1	
18	92907-08200	WASHER	1	1	1	

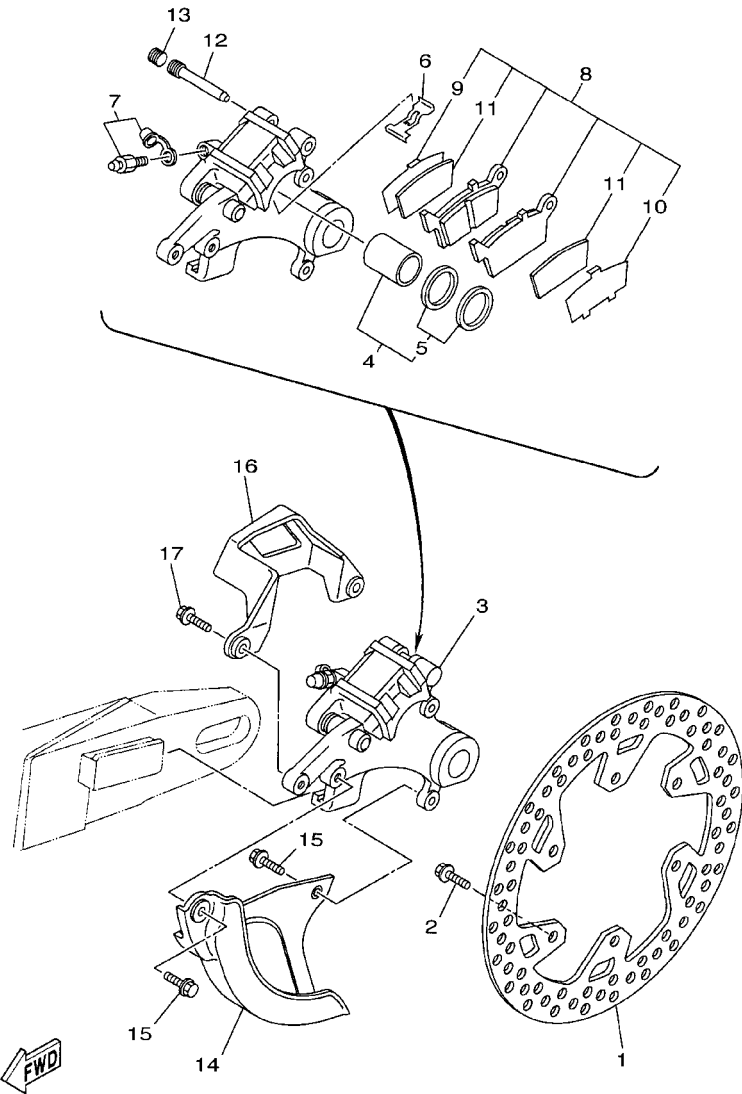
FIG. 30 REAR WHEEL



5PH1100-1300

REF. NO.	PART NO.	DESCRIPTION	5PH5	5PH6	5PH8	REMARKS
1	5ET-25311-00	HUB, REAR	1	1	1	
2	5ET-25317-00	SPACER, BEARING	1	1	1	
3	93306-27205	BEARING	1	1	1	
4	93306-07202	BEARING	1	1	1	
5	93106-30044	OIL SEAL	1	1	1	
6	93106-30045	OIL SEAL	1	1	1	
7	99009-45500	CIRCLIP	1	1	1	
8	94418-18006	RIM (1.85-18)	1	1	1	
9	5GS-25304-00	SPOKE SET, REAR	1	1	1	
10	*	TYRE (100/100-18 59M D739)	1	1	1	
11	*	TUBE (100/100-18)	1	1	1	
12	94309-18146	BAND, RIM (110/100-18)	1	1	1	
13	4XM-25394-00	SPACER, BEAD	2	2	2	
14	4XM-25364-00	DAMPER	2	2	2	
15	5GS-25452-50	SPROCKET, DRIVEN (52T)	1	1	1	STD
15	5GS-25448-50	SPROCKET, DRIVEN (48T)	1	1	1	AP
15	5GS-25450-50	SPROCKET, DRIVEN (50T)	1	1	1	AP
15	5PH-25454-50	SPROCKET, DRIVEN (54T)	1	1	1	AP
16	90109-081G1	BOLT	6	6	6	
17	90185-08169	NUT, SELF-LOCKING	6	6	6	
18	90201-08326	WASHER, PLATE	6	6	6	
19	5NY-25383-00	COLLAR, WHEEL	2	2	2	

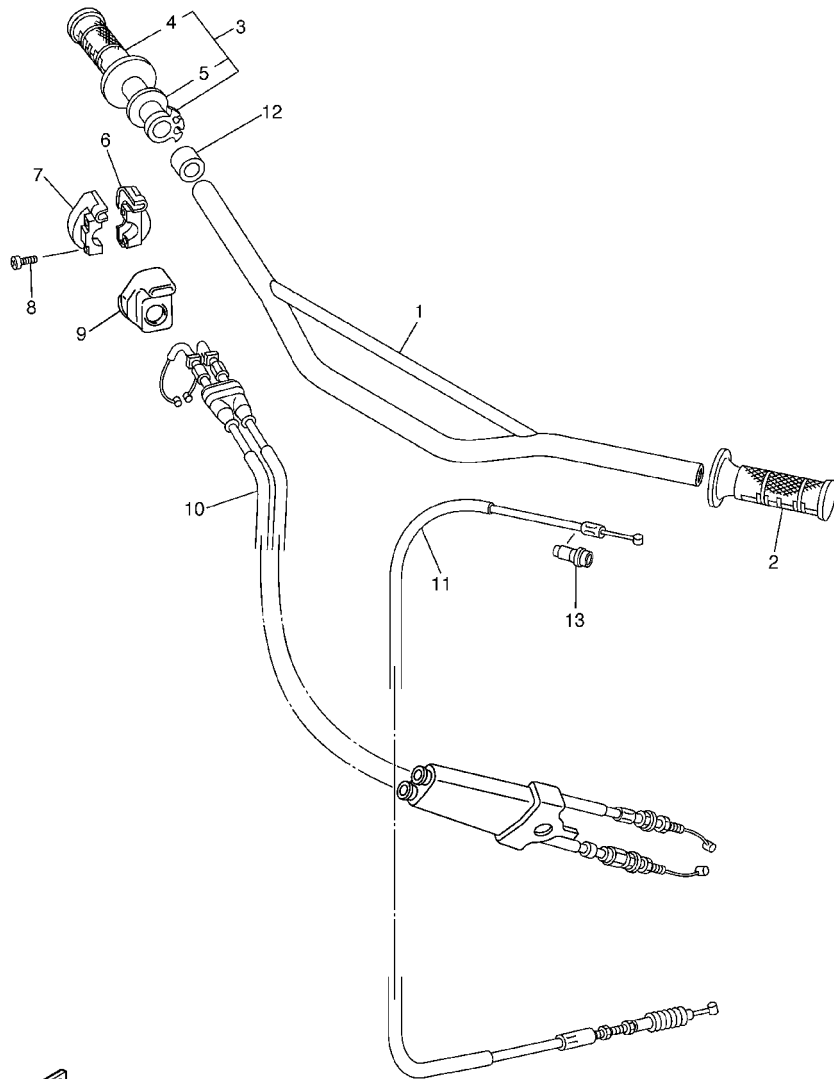
FIG. 31 REAR BRAKE CALIPER



5PH5100-2310

REF. NO.	PART NO.	DESCRIPTION	5PH5	5PH6	5PH8	REMARKS
1	5NY-2582W-00	DISC, REAR BRAKE 2	1	1	1	
2	90109-065G4	BOLT	6	6	6	
3	5NY-2580W-00	CALIPER ASSY, REAR 2	1	1	1	
4	5ET-W0057-50	.PISTON ASSY, CALIPER	1	1	1	
5	5ET-W0047-50	..CALIPER SEAL KIT	1	1	1	
6	5DH-25919-50	..SUPPORT, PAD	1	1	1	
7	1UY-W0048-50	..BLEED SCREW KIT	1	1	1	
8	5GR-W0046-00	..BRAKE PAD KIT 2	1	1	1	
9	5DH-25828-50	..SHIM, CALIPER	1	1	1	
10	5DH-25827-50	..SHIM, CALIPER	1	1	1	
11	5GR-22898-50	..INSULATOR, HEAT	2	2	2	
12	8CR-25924-00	..PIN, PAD	1	1	1	
13	5DH-25916-00	..PLUG	1	1	1	
14	5DH-25718-01	PROTECTOR, DISK BRAKE	1	1	1	
15	95027-06012	BOLT, FLANGE	2	2	2	
16	4GY-27491-00	PROTECTOR	1	1	1	
17	95027-06016	BOLT, FLANGE	2	2	2	

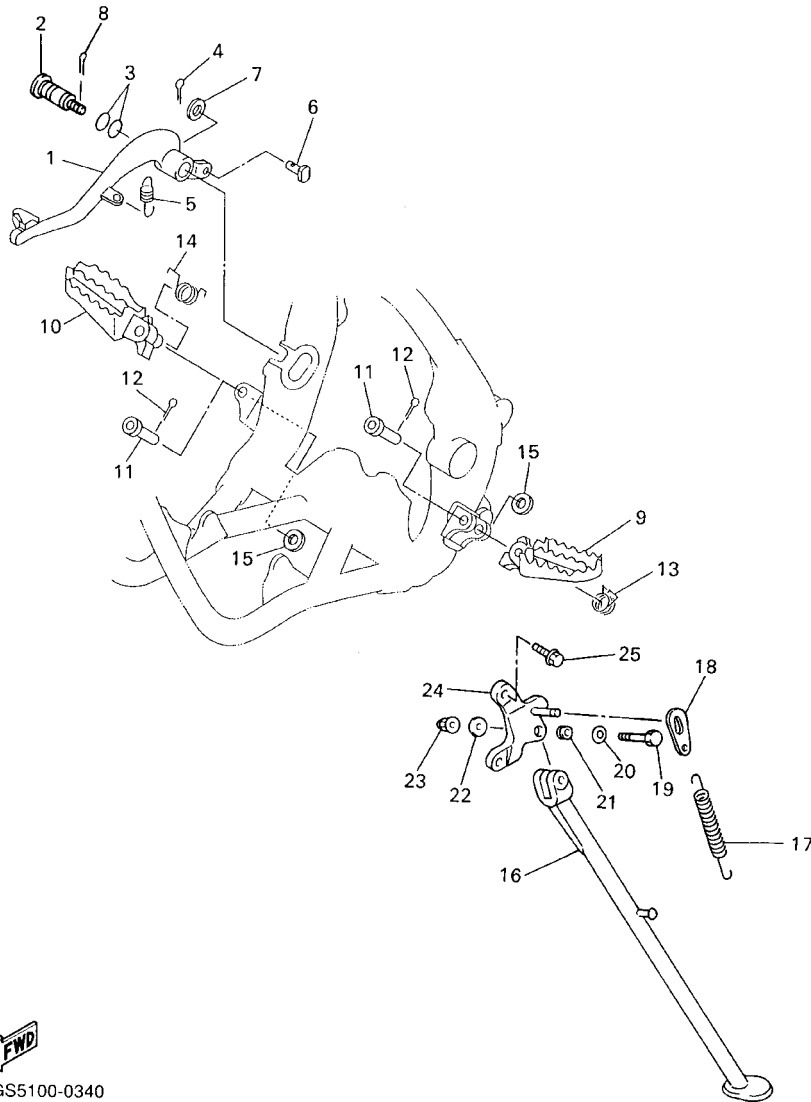
FIG. 32 STEERING HANDLE. CABLE



REF. NO.	PART NO.	DESCRIPTION	5PH5	5PH6	5PH8	REMARKS
1	4XM-26111-00	HANDLEBAR	1	1	1	
2	4GY-26241-00	GRIP	1	1	1	
3	5BE-26240-00	GRIP ASSY	1	1	1	
4	4GY-26242-00	.GRIP (RIGHT)	1	1	1	
5	3Y1-26249-00	.RING, LEAF	1	1	1	
6	5BE-26281-00	CAP, GRIP UPPER	1	1	1	
7	5BE-26282-00	CAP, GRIP LOWER	1	1	1	
8	98507-05020	SCREW, PAN HEAD	2	2	2	
9	5SF-26287-00	COVER, CAP GRIP	1	1	1	
10	5SF-26302-00	THROTTLE CABLE ASSY	1	1	1	
11	5SF-26335-00	CABLE, CLUTCH	1	1	1	
12	90387-225N2	COLLAR	1	1	1	
13	5HD-26342-00	BOOT, CABLE	1	1	1	

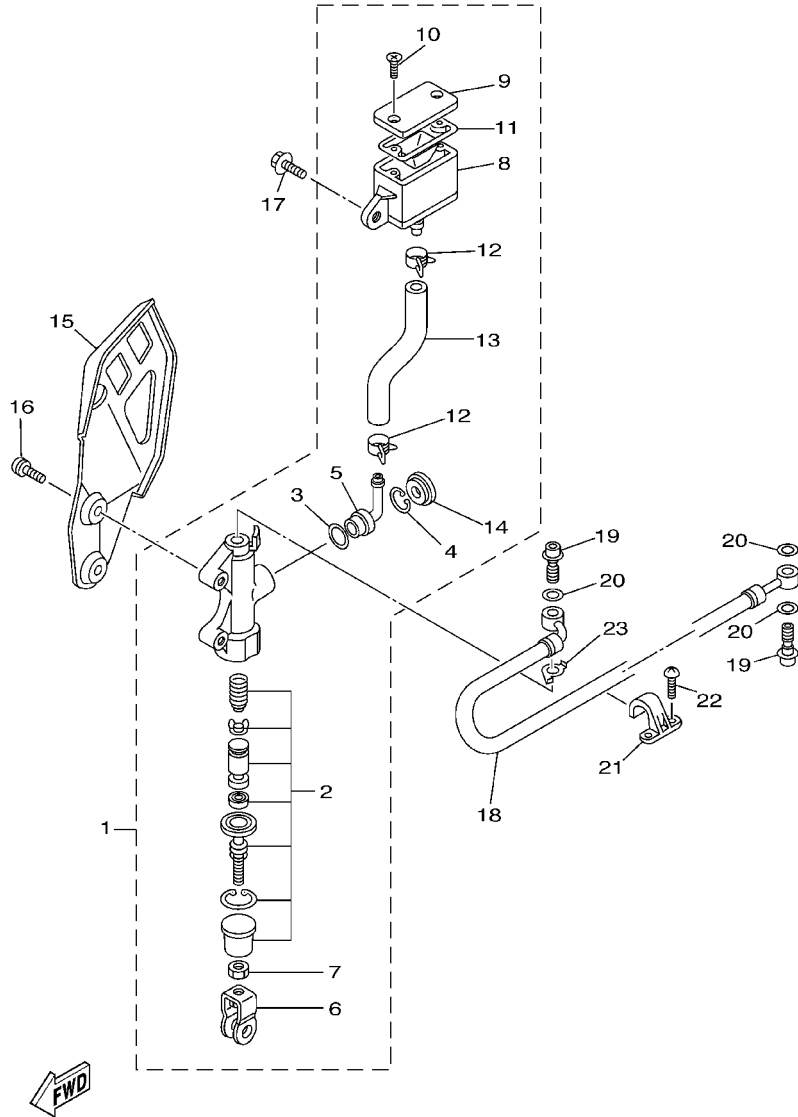

5SG1100-2320

FIG. 34 STAND, FOOTREST



REF. NO.	PART NO.	DESCRIPTION	5PH5	5PH6	5PH8	REMARKS
1	4XM-27200-00	PEDAL, BRAKE	1	1	1	
2	5JG-27217-00	BOLT	1	1	1	
3	93210-11073	O-RING	2	2	2	
4	91401-20012	PIN, COTTER	1	1	1	
5	90506-16500	SPRING, TENSION	1	1	1	
6	90240-08120	PIN, CLEVIS	1	1	1	
7	90201-08089	WASHER, PLATE	1	1	1	
8	90468-16191	CLIP	1	1	1	
9	5ET-27411-00	FOOTREST 1	1	1	1	
10	5ET-27421-00	FOOTREST 2	1	1	1	
11	90240-10142	PIN, CLEVIS	2	2	2	
12	91401-25015	PIN, COTTER	2	2	2	
13	90508-282B8	SPRING, TORSION	1	1	1	
14	90508-282B9	SPRING, TORSION	1	1	1	
15	90201-10119	WASHER, PLATE	2	2	2	
16	5BF-27311-00	STAND, SIDE	1	1	1	
17	90506-35473	SPRING, TENSION	1	1	1	
18	5GS-27315-50	LINK, SIDE STAND	1	1	1	
19	90101-10738	BOLT	1	1	1	
20	90201-112U6	WASHER, PLATE	1	1	1	
21	90387-1003G	COLLAR	1	1	1	
22	92990-10200	WASHER, PLAIN	1	1	1	
23	95617-10100	NUT, U	1	1	1	
24	5GS-21458-50	BRACKET, SIDE STAND	1	1	1	
25	95027-10020	BOLT, FLANGE	2	2	2	

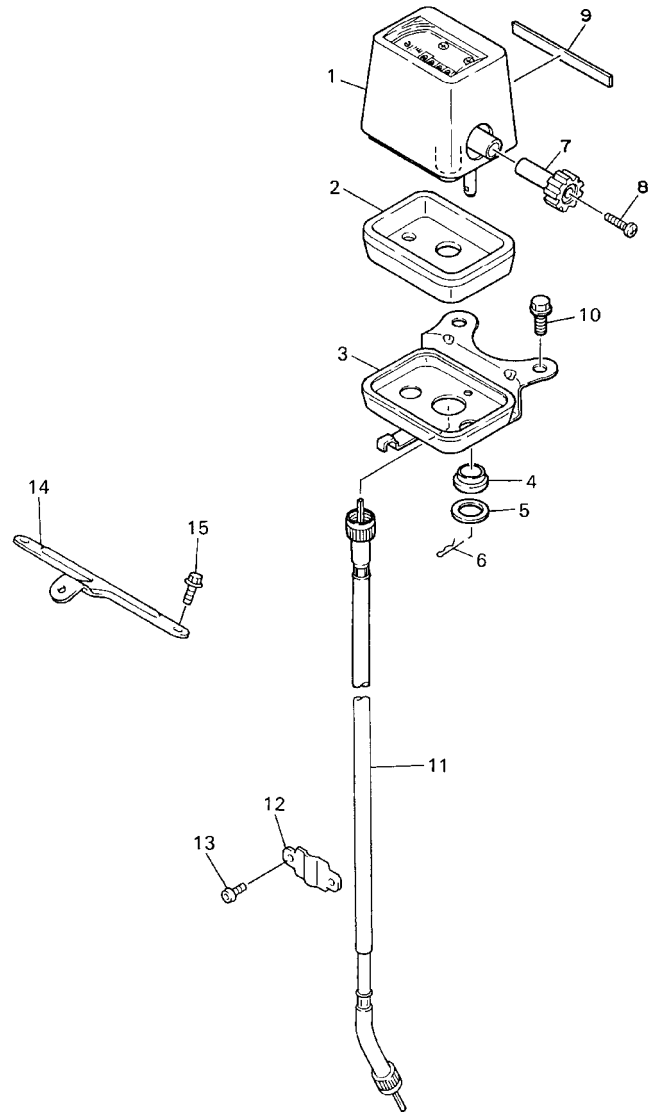
FIG. 35 REAR MASTER CYLINDER



5NL1100-1350

REF. NO.	PART NO.	DESCRIPTION	5PH5	5PH6	5PH8	REMARKS
1	5JG-2583V-00	RR. MASTER CYLINDER ASSY.	1	1	1	
2	4SS-W0042-50	.CYLINDER KIT, MASTER	1	1	1	
3	93210-15620	.O-RING	1	1	1	
4	2VN-25866-00	.CIRCLIP	1	1	1	
5	4ML-2582A-50	.JOINT	1	1	1	
6	3SP-27222-00	.JOINT	1	1	1	
7	95301-08700	.NUT	2	2	2	
8	5BE-25894-00	.TANK, RESERVOIR	1	1	1	
9	5BE-25852-00	.CAP, RESERVOIR	1	1	1	
10	98706-04040	.SCREW, FLAT HEAD	2	2	2	
11	56A-25854-00	.DIAPHRAGM, RESERVOIR	1	1	1	
12	90467-12085	.CLIP	2	2	2	
13	5BE-25895-00	.HOSE, RESERVOIR	1	1	1	
14	3FV-2589A-00	.COVER, DUST	1	1	1	
15	5BE-2117M-01	COVER 2	1	1	1	
16	92014-06016	BOLT, BUTTON HEAD	2	2	2	
17	90105-06553	BOLT, FLANGE	1	1	1	
18	5MV-25873-00	HOSE, BRAKE 2	1	1	1	
19	90401-10172	BOLT, UNION	2	2	2	
20	90201-10118	WASHER, PLATE	3	3	3	
21	2VM-25876-00	HOLDER, BRAKE HOSE 2	2	2	2	
22	90157-05095	SCREW, PAN HEAD	4	4	4	
23	5BE-25844-01	WASHER, LOCK	1	1	1	

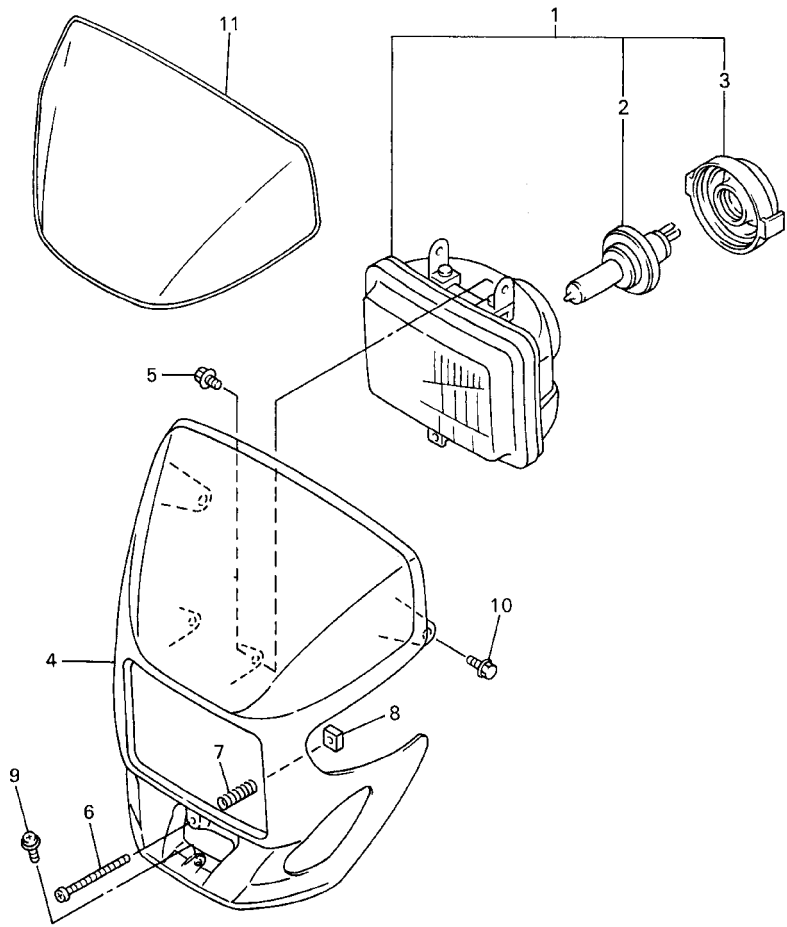
FIG. 37 METER



FWD
5BF100-8370

REF. NO.	PART NO.	DESCRIPTION	5PH5	5PH6	5PH8	REMARKS
1	2HR-83505-F0	TRIP METER COMP.		1	1	K M
2	4V5-83513-00	DAMPER	1	1	1	
3	5NG-83519-00	BRACKET, METER	1	1	1	
4	1M1-83526-00	DAMPER 2	2	2	2	
5	90201-05033	WASHER, PLATE	2	2	2	
6	437-83525-00	CLIP	2	2	2	
7	11H-83578-00	KNOB, TRIP METER	1	1	1	
8	90157-02031	SCREW, PAN HEAD	1	1	1	
9	2HR-83592-00	DAMPER	1	1	1	
10	95027-06010	BOLT, FLANGE	2	2	2	
11	5BF-83550-00	SPEEDOMETER CABLE ASSY	1	1	1	
12	5BF-2317M-00	STAY 3	1	1	1	
13	92017-05008	BOLT, BUTTON HEAD	2	2	2	
14	5NG-84319-50	STAY, HEADLIGHT 2	1	1	1	
15	95027-08012	BOLT, FLANGE	2	2	2	

FIG. 38 HEADLIGHT

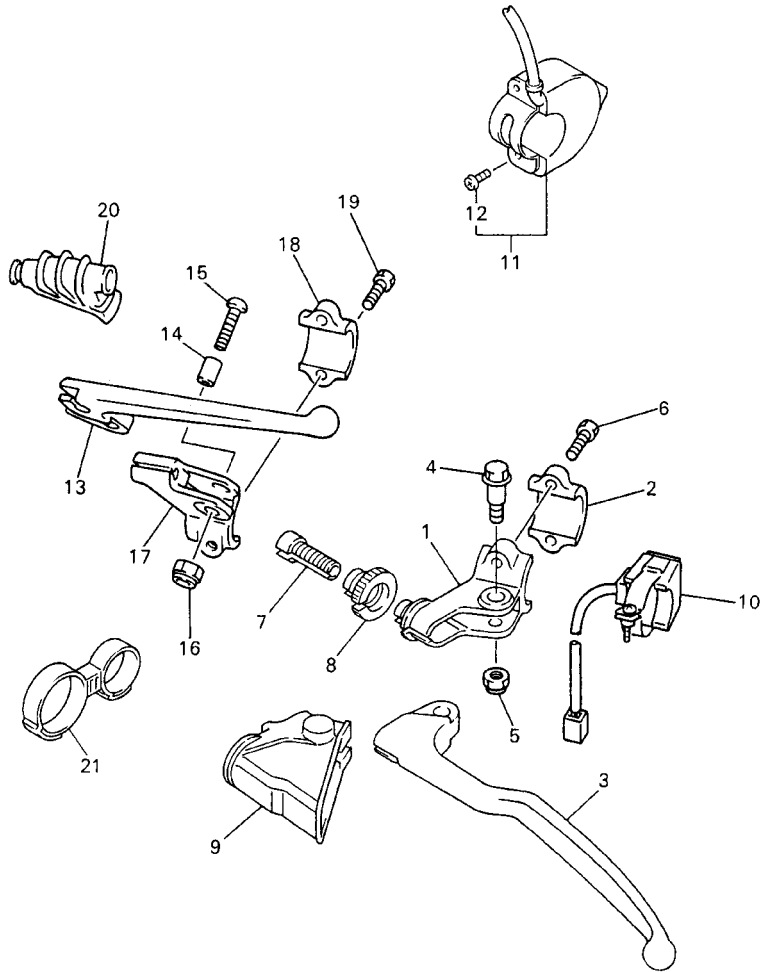


REF. NO.	PART NO.	DESCRIPTION	5PH5	5PH6	5PH8	REMARKS
1	5BF-84310-00	HEADLIGHT UNIT ASSY	1	1	1	
2	8G9-84314-00	.BULB (12V-60/55W)	1	1	1	(H4)HALOGEN
3	5BF-84397-00	.COVER, SOCKET	1	1	1	
4	5BF-84330-00	BODY ASSY	1	1	1	
5	55U-84337-00	BOLT, SPECIAL	2	2	2	
6	5BF-8433E-00	SCREW, ADJUSTING	1	1	1	
7	5BF-84335-00	SPRING	1	1	1	
8	5BF-84334-00	NUT, ADJUSTING	1	1	1	
9	90159-06189	SCREW, WITH WASHER	1	1	1	
10	95827-06010	BOLT, FLANGE	2	2	2	
11	5BF-2339E-00	GRAPHIC 1	1	1	1	



5NG1100-1380

FIG. 40 HANDLE SWITCH. LEVER

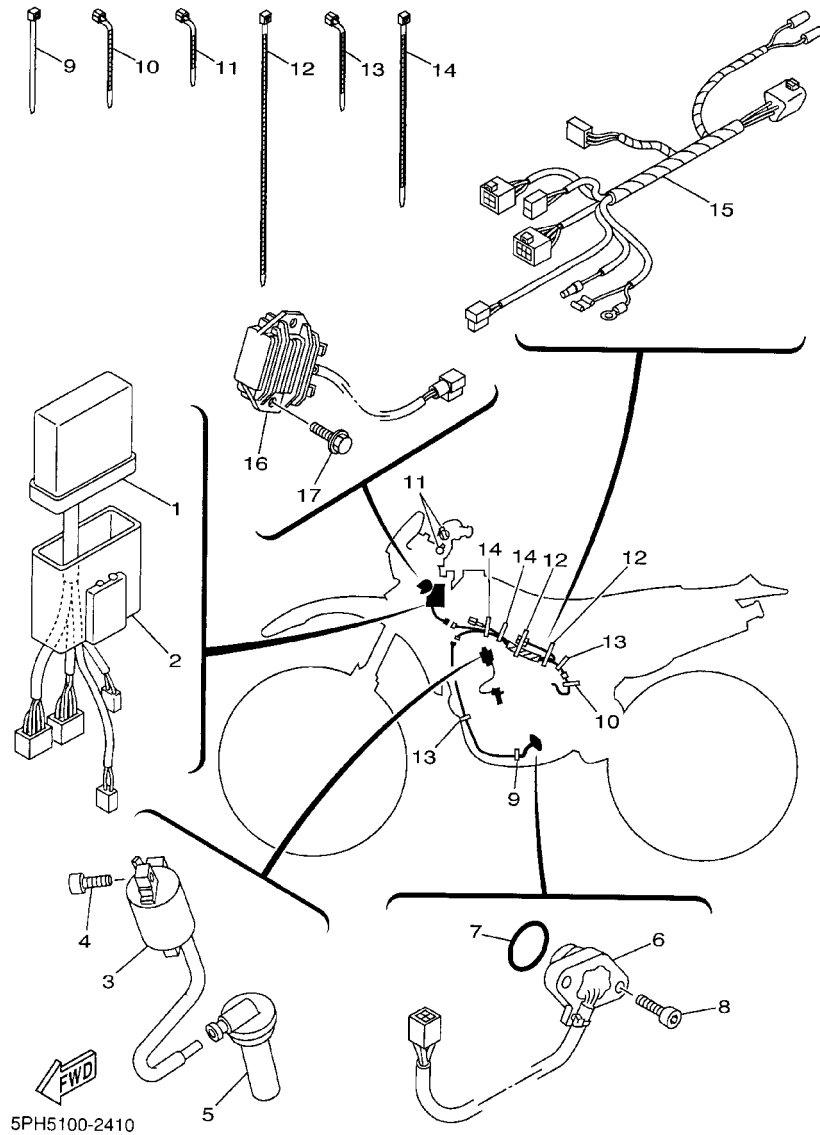


REF. NO.	PART NO.	DESCRIPTION	5PH5	5PH6	5PH8	REMARKS
1	5HD-82911-00	HOLDER, LEVER 1	1	1	1	
2	38V-82913-00	HOLDER, LEVER LOWER 1	1	1	1	
3	5MV-83912-00	LEVER 1	1	1	1	
4	90109-06027	BOLT	1	1	1	
5	95607-06100	NUT, U	1	1	1	
6	97007-05016	BOLT	2	2	2	
7	5HD-26337-00	BOLT, ADJUSTING	1	1	1	
8	5HD-83951-00	BOLT, CABLE ADJUSTING	1	1	1	
9	5HD-26372-00	COVER, HANDLE LEVER 1	1	1	1	
10	5SF-83976-00	SWITCH, HANDLE 1	1	1	1	
11	5NG-83976-50	SWITCH, HANDLE 1	1	1	1	
12	98507-04014	.SCREW, PAN HEAD	2	2	2	
13	583-83981-00	LEVER, DECOMPRESSION	1	1	1	
14	5BE-83913-00	COLLAR, LEVER 1	1	1	1	
15	98907-05020	SCREW, BIND	1	1	1	
16	95607-05100	NUT, U	1	1	1	
17	5BE-82912-00	HOLDER, LEVER UPPER 1	1	1	1	
18	38V-82913-00	HOLDER, LEVER LOWER 1	1	1	1	
19	97007-05016	BOLT	2	2	2	
20	583-26352-00	COVER, DECOMPRESSION CABLE	1	1	1	
21	90464-29223	CLAMP	1	1	1	



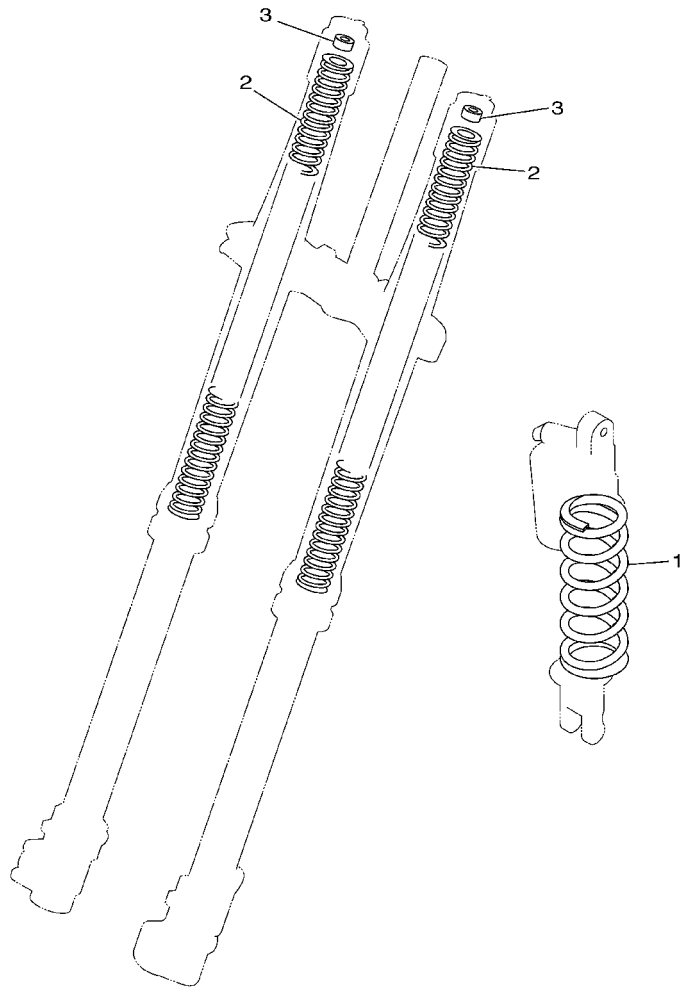
5NG1100-1400

FIG. 41 ELECTRICAL 1



REF. NO.	PART NO.	DESCRIPTION	5PH5	5PH6	5PH8	REMARKS
1	5PH-85540-80	C.D.I. UNIT ASSY			1	
2	5NL-85546-00	BAND	1	1	1	
3	4SR-82310-00	IGNITION COIL ASSY	1	1	1	
4	91317-06016	BOLT	2	2	2	
5	5BE-82370-00	PLUG CAP ASSY	1	1	1	
6	5SF-82540-00	NEUTRAL SWITCH ASSY	1	1	1	
7	93210-21276	O-RING	1	1	1	
8	90154-05073	SCREW, BINDING	2	2	2	
9	90464-16061	CLAMP	1	1	1	
10	90464-13073	CLAMP	1	1	1	
11	90464-13077	CLAMP	2	2	2	
12	90464-15152	CLAMP	2	2	2	
13	90464-13073	CLAMP	2	2	2	
14	90465-13275	CLAMP	2	2	2	
15	5PH-82509-50	WIRE, SUB LEAD	1	1	1	
16	5GS-81910-50	VOLTAGE REGULATOR ASSY	1	1	1	
17	90119-06039	BOLT, WITH WASHER	2	2	2	

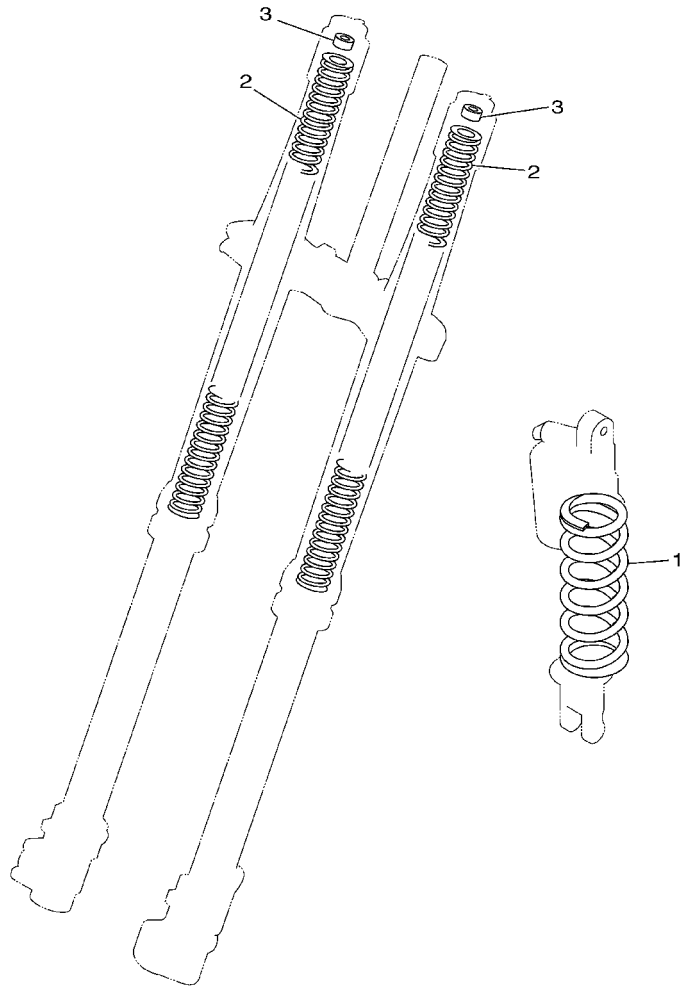
FIG. 42 ALTERNATE (CHASSIS)



5NL1100-1390

REF. NO.	PART NO.	DESCRIPTION	5PH5	5PH6	5PH8	REMARKS
1	5DH-22212-70	SPRING (K=4.4)	1	1	1	AP
	5DH-22212-10	SPRING (K=4.6)	1	1	1	AP
	5DH-22212-20	SPRING (K=4.8)	1	1	1	AP
	5NG-22212-60	SPRING (K=5.0)	1	1	1	AP
	5DH-22212-40	SPRING (K=5.2)	1	1	1	AP
	5SF-22212-00	SPRING (K=5.4)	1	1	1	AP
	5DH-22212-60	SPRING (K=5.6)	1	1	1	AP
	5NG-22212-20	SPRING (K=APPROX.4.6)	1	1	1	AP
	5ET-22212-00	SPRING (K=APPROX.4.8)	1	1	1	AP
	5ET-22212-10	SPRING (K=APPROX.5.0)	1	1	1	AP
	5ET-22212-30	SPRING (K=APPROX.5.2)	1	1	1	AP
	5ET-22212-40	SPRING (K=APPROX.5.4)	1	1	1	AP
	5NG-22212-50	SPRING (K=APPROX.5.6)	1	1	1	AP
2	4SS-23141-10	SPRING, FRONT FORK (K=0.38)	2	2	2	AP
	4SS-23141-20	SPRING, FRONT FORK (K=0.39)	2	2	2	AP
	4SS-23141-30	SPRING, FRONT FORK (K=0.40)	2	2	2	AP
	4SS-23141-40	SPRING, FRONT FORK (K=0.41)	2	2	2	AP
	4SS-23141-50	SPRING, FRONT FORK (K=0.42)	2	2	2	AP
	4SS-23141-60	SPRING, FRONT FORK (K=0.43)	2	2	2	AP
	4SS-23141-70	SPRING, FRONT FORK (K=0.44)	2	2	2	AP
	5BE-23141-L0	SPRING, FRONT FORK (K=0.45)	2	2	2	AP
	5BE-23141-00	SPRING, FRONT FORK (K=0.46)	2	2	2	AP
	5GR-23141-00	SPRING, FRONT FORK (K=0.47)	2	2	2	AP
	5ET-23141-20	SPRING (K=APPROX.0.40)	2	2	2	AP
	5ET-23141-00	SPRING (K=APPROX.0.41)	2	2	2	AP
	5ET-23141-30	SPRING (K=APPROX.0.42)	2	2	2	AP
	5ET-23141-10	SPRING (K=APPROX.0.43)	2	2	2	AP

FIG. 42 ALTERNATE (CHASSIS)



REF. NO.	PART NO.	DESCRIPTION	5PH5	5PH6	5PH8	REMARKS
2	5ET-23141-40	SPRING (K=APPROX.0.44)	2	2	2	AP
3	4SS-23364-L0	COLLAR 2	2	2	2	AP



5NL1100-1390

NUMERICAL INDEX

PART NO.	GRID NO.	PART NO.	GRID NO.	PART NO.	GRID NO.	PART NO.	GRID NO.	PART NO.	GRID NO.	PART NO.	GRID NO.
5NY-W0041-00	E - 10	3GM-12126-00	B - 5	5NL-12459-00	B - 8	5JG-14388-00	B - 15	5NL-14916-E1	B - 15	4MX-14943-94	C - 2
4SS-W0042-50	E - 12	3FV-12153-00	B - 6	5PH-12461-00	B - 9	5JG-1440F-01	B - 13	5JG-14922-00	C - 4	4MX-14943-95	C - 2
5MV-W0045-00	E - 5	3FV-12153-10	B - 6	5HD-12462-00	B - 9	5JG-14401-00	B - 13	3TJ-14933-40	C - 3	7A9-14943-17	C - 3
5GR-W0046-00	E - 8	3FV-12153-20	B - 6	5NL-12481-00	B - 9	5BE-1441A-10	B - 13	5GS-14933-00	C - 5	5JG-14947-00	C - 2
3JD-W0047-00	E - 5	3FV-12153-30	B - 6	5NL-12564-00	C - 8	5BF-1441A-10	B - 13	4FN-14934-00	C - 4	4MX-14948-01	C - 2
5ET-W0047-50	E - 8	3LN-12153-00	B - 6	5SG-12576-00	B - 9	5BE-1441E-10	B - 14	3TJ-1494F-12	C - 3	4MX-14948-02	C - 2
1UY-W0048-50	E - 5	3LN-12153-10	B - 6	5SG-12577-00	B - 9	5JG-14417-00	B - 14	3TJ-1494F-13	C - 3	4MX-14948-03	C - 2
	E - 8	3LN-12153-20	B - 6	5SG-12578-00	B - 9	5JG-14428-00	B - 13	3TJ-1494F-14	C - 3	4MX-14948-04	C - 2
4EW-W0057-00	E - 5	3LN-12153-30	B - 6	5SG-12579-00	B - 9	5BF-1443E-00	B - 14	3TJ-1494F-15	C - 3	4MX-14948-05	C - 2
5ET-W0057-50	E - 8	1HX-12168-A0	B - 5	583-13113-00	B - 12	5BF-14437-00	B - 13	3TJ-1494F-16	C - 2	4MX-14948-06	C - 2
5NY-W2587-01	E - 10	1HX-12168-F0	B - 5	5NL-13161-00	B - 12	5BE-14449-00	C - 4	3TJ-1494F-17	C - 3	4MX-14948-07	C - 2
5NL-11102-10	B - 2	1HX-12168-H1	B - 5	5NL-13171-00	B - 12	4XM-14451-00	B - 13	3TJ-1494F-18	C - 3	5JG-14951-00	B - 15
4KG-1111G-00	B - 3	1HX-12168-K1	B - 5	5SG-13300-00	B - 10	5BF-14452-00	B - 13	3TJ-1494F-19	C - 3	5GS-14958-00	C - 5
5NL-11133-10	B - 2	1HX-12168-M1	B - 5	5NL-13320-00	B - 10	5JG-14453-00	B - 13	3TJ-1494F-20	C - 3	5JG-14959-00	B - 15
5NL-11134-10	B - 2	1HX-12168-R1	B - 5	5NL-13341-00	B - 10	5BF-14457-00	B - 13	4JT-1494F-01	C - 4	5JG-14984-00	C - 3
5BE-11166-00	B - 2	1HX-12168-U1	B - 5	5BE-13342-00	B - 10	5BE-14458-00	B - 13	4JT-1494F-03	C - 4	4SR-14985-00	C - 3
371-11167-01	B - 2	1HX-12168-W1	B - 5	5NL-13411-00	B - 10	3JD-14459-01	B - 13	4JT-1494F-07	C - 4	5JG-14987-00	C - 4
5BE-11167-00	B - 2	1HX-12168-Y1	B - 5	5NL-13412-00	B - 10	5MV-14477-00	B - 13	4JT-1494F-11	C - 4	4FN-14997-00	B - 15
5NL-11181-00	B - 2	1HX-12168-00	B - 5	5NL-13416-00	B - 10	5BF-14493-00	B - 13		C - 5	5SG-15150-00	C - 7
5NL-11191-00	B - 2	1HX-12168-20	B - 5	1UY-13440-02	B - 12	5JG-14521-00	B - 15	4JT-1494F-15	C - 4	5NL-15362-00	D - 3
5NL-11193-00	B - 3	1HX-12168-40	B - 5	5BE-13447-00	B - 12	5JG-14522-00	B - 15	4JT-15381-17	C - 5	4JT-15381-01	C - 7
5NL-11311-00	B - 3	1HX-12168-60	B - 5	5NL-13464-00	B - 10	5JG-14531-00	C - 4	4JT-1494F-19	C - 5	5BE-15383-01	C - 7
5NL-11351-00	B - 3	1HX-12168-80	B - 5	5NL-13465-00	B - 10	3TJ-14536-40	C - 3	4JT-1494F-21	C - 5	5NL-15388-00	C - 7
5JG-11387-00	B - 3	1HX-12169-E0	B - 6	5NL-13597-10	B - 13	5JG-14546-01	B - 15	4JT-1494F-23	C - 4	5NL-15411-00	C - 8
5NL-11400-10	B - 4	1HX-12169-G0	B - 6	5PH-14101-50	B - 15	676-14548-00	C - 3		C - 5	5NL-15415-00	C - 8
5NL-11412-00	B - 4	1HX-12169-J0	B - 6	5PH-14101-60	B - 15	4YR-14557-00	C - 4	4JT-1494F-25	C - 5	5BE-15421-00	C - 7
5NL-11422-00	B - 4	1HX-12169-L0	B - 6	5PH-14101-80	B - 15	4FN-14561-00	B - 13	4JT-1494F-28	C - 4	5NL-15431-00	C - 8
5NL-11454-00	B - 4	1HX-12169-N0	B - 6	5NL-14105-00	C - 3	4MX-14561-00	C - 4	4JT-1494F-29	C - 5	5NL-15441-01	C - 7
5NL-11455-00	B - 4	1HX-12169-T0	B - 6	5BE-14107-00	C - 3	6H4-14561-00	C - 3	4JT-1494F-30	C - 5	5NL-15451-00	C - 8
5NL-11531-00	B - 4	1HX-12169-11	B - 6	4MX-14115-00	C - 4	5BE-14562-00	C - 4	4JT-1494F-31	C - 5	5NL-15453-00	C - 8
5NL-11536-00	B - 4	1HX-12169-31	B - 6	3TJ-14137-40	C - 4	5JG-14565-00	C - 4	4JT-1494F-32	C - 5	5NL-15462-00	C - 8
5NL-11603-00	B - 4	1HX-12169-50	B - 6	5BE-14146-00	C - 4	5GS-14591-00	C - 4	4JT-1494F-34	C - 5	5NL-15601-00	C - 9
5NL-11631-00	B - 4	1HX-12169-70	B - 6	3TJ-14159-40	B - 15	5NL-14591-00	C - 4	5GS-14940-00	C - 5	5NL-15620-00	C - 9
5NL-11633-00	B - 4	1HX-12169-90	B - 6	5JG-14171-00	C - 3	5NL-14611-00	C - 6	5JG-14940-16	C - 3	5NL-15621-00	C - 9
5NL-11651-10	B - 4	5PH-12170-00	B - 7	3TJ-14191-40	C - 5	5NL-14613-00	C - 6	5JG-14940-17	C - 3	5NL-15641-00	C - 9
5NL-11681-00	B - 4	5PH-12180-00	B - 7	5NL-14196-00	C - 4	5NL-14628-00	C - 6	5JG-14940-18	C - 3	5NL-15651-00	C - 9
5NL-12111-00	B - 5	5BE-12210-00	B - 7	5JG-14197-00	C - 4	5PH-14710-00	C - 6	5JG-14940-76	C - 3	5NL-15664-00	C - 9
5NL-12112-00	B - 5	4FM-12213-00	B - 7	4YR-14216-00	C - 4	5PH-14710-10	C - 6	3TJ-14943-47	C - 2	5SG-15668-00	C - 9
5NL-12113-00	B - 5	5BE-12241-00	B - 7	5BE-14216-00	C - 3	5PH-14714-00	C - 6	4MX-14943-40	C - 2	4GY-15671-00	C - 9
5NL-12114-00	B - 5	5NL-12251-00	B - 7	5JG-14264-00	C - 2	4BD-14766-00	C - 6	4MX-14943-41	C - 2	214-15686-00	C - 9
5NL-12116-00	B - 5	5NL-12252-00	B - 7	3TJ-14267-40	B - 15	5BE-14788-00	C - 6	4MX-14943-42	C - 2	5NL-16111-00	C - 10
1HX-12117-00	B - 5	5BE-12280-10	B - 7	5JG-14275-00	C - 2	5NL-14916-EL	B - 15	4MX-14943-43	C - 2	5NL-16150-10	C - 10
1WG-12117-00	B - 5	5NL-12283-00	B - 7	3TJ-14293-40	C - 3	5NL-14916-EM	B - 15	4MX-14943-44	C - 2	5NL-16154-00	C - 10
1HX-12118-00	B - 5	5BE-12292-10	B - 7	5JG-14293-01	B - 13	5NL-14916-EN	B - 15	4MX-14943-45	C - 2	3XJ-16321-00	C - 10
1WG-12118-00	B - 5	5PH-1240A-00	B - 9	3TJ-14325-40	C - 3	5NL-14916-EP	B - 15	4MX-14943-90	C - 2	5DH-16321-00	C - 10
4SV-12119-00	B - 5	5NL-12422-00	B - 8	5JG-14346-00	C - 4	5NL-14916-ER	B - 15	4MX-14943-91	C - 2	5NL-16325-00	C - 10
4TV-12119-00	B - 5	5NL-12439-00	B - 8	5JG-14371-00	C - 3	5NL-14916-ES	B - 15	4MX-14943-92	C - 2	5NL-16325-10	C - 10
5NL-12121-00	B - 5	5DH-12451-00	B - 8	5JG-14379-00	C - 3	5NL-14916-ET	B - 15	4MX-14943-93	C - 2	5HD-16351-00	C - 10

NUMERICAL INDEX

PART NO.	GRID NO.	PART NO.	GRID NO.	PART NO.	GRID NO.	PART NO.	GRID NO.	PART NO.	GRID NO.	PART NO.	GRID NO.
5NL-16356-00	C - 10	5NL-2147A-00	D - 3	5PH-22210-60	D - 9	5HD-23136-L0	D - 12	5NG-23170-60	D - 13	5NG-25190-50	E - 4
5NL-16357-00	C - 10	5NL-21471-00	D - 3	5PH-22210-70	D - 9	5PH-22210-70	D - 9	5ET-23171-L0	D - 12	5GS-25304-00	E - 6
5NL-16371-00	C - 10	5PH-21481-00	D - 3	5PH-22210-80	D - 9	5PH-22210-80	D - 9		D - 13	5ET-25311-00	E - 6
5JG-16381-00	C - 10	5HD-21511-00	D - 4	5HD-22212-10	F - 5	5DH-2314E-00	E - 5		D - 13	5ET-25317-00	E - 6
5NL-16383-10	C - 10	4XL-2153A-10	D - 14	5DH-22212-20	D - 9	5DH-2314F-L0	D - 14	5DH-23183-00	D - 9	5ET-25317-00	E - 6
4JT-16384-00	C - 10	4ES-2153E-01	D - 4		F - 5	4SS-2314G-L0	D - 14	509-23184-L0	D - 9	4XM-25364-00	E - 6
5NL-16384-00	C - 10	3FY-21575-01	D - 5	5DH-22212-40	F - 5	5DH-2314H-00	D - 14	5MV-23195-L0	D - 12	5ET-25367-00	E - 7
5NL-17121-00	C - 12	5BF-21611-00	D - 4	5DH-22212-60	F - 5	5BF-2314J-00	D - 14		D - 13	5ET-25381-00	E - 7
5PH-17131-00	C - 12	5PH-2163G-50	D - 4	5DH-22212-70	F - 5	4SR-23141-L0	D - 12	5HC-2331E-00	D - 14	5NY-25383-00	E - 6
5PH-17141-00	C - 12	5BE-21642-00	D - 4	5ET-22212-00	F - 5		D - 13	5SG-23340-00	D - 13	5NY-25388-00	E - 7
5PH-17151-00	C - 12	5NG-21677-50	F - 2	5ET-22212-10	F - 5	4SS-23141-10	F - 5	4SS-23346-L0	D - 14	5NY-25389-00	E - 7
5PH-17211-00	C - 12	5BF-21711-00	D - 5	5ET-22212-30	F - 5	4SS-23141-20	F - 5	5NY-23346-L0	D - 13	3JE-25394-00	E - 6
5NL-17221-00	C - 12	5PH-2172A-10	D - 5	5ET-22212-40	F - 5	4SS-23141-30	F - 5	3SP-23356-L0	D - 14	4XM-25394-00	E - 6
5PH-17231-00	C - 12	5BF-21721-00	D - 5	5NG-22212-50	F - 5	4SS-23141-40	F - 5	4SS-23364-L0	F - 6	5SF-25394-00	E - 4
5PH-17241-00	C - 12	5SF-2173E-01	D - 5	5NG-22212-60	D - 9	4SS-23141-50	F - 5	4DA-23389-00	D - 11	5GS-25448-50	E - 6
5PH-17251-00	C - 12	5SF-2173F-01	D - 5		F - 5	4SS-23141-60	F - 5	4GY-23389-00	D - 11	5GS-25450-50	E - 6
5PH-17411-10	C - 12	5JG-21731-01	D - 5	5NG-22212-60	D - 9	4SS-23141-70	F - 5	5BF-2339E-00	E - 15	5GS-25452-50	E - 6
5NL-17421-10	C - 12	5NL-21731-00	D - 5		F - 5	4XM-23141-L0	D - 12	5HD-23393-L0	D - 12	5PH-25454-50	E - 6
5NL-17466-00	C - 7	5NG-2174A-50	D - 5	5SF-22212-00	F - 5		D - 13		D - 13	8CR-25715-00	E - 10
5NL-17471-00	C - 13	5JG-21741-01	D - 5	3SP-22213-00	D - 9	5BE-23141-L0	F - 5	4EW-23416-00	D - 11	5DH-25718-01	E - 8
5NL-18101-00	C - 15	5NL-21741-00	D - 5	5DH-22214-00	D - 9	5BE-23141-00	F - 5	5PH-23435-00	D - 11	5MV-2580T-10	E - 5
5NL-18110-00	C - 15	3JD-21748-00	D - 4	5MV-22224-00	D - 9	5ET-23141-00	F - 5	3SP-23441-00	D - 11	5NY-2580W-00	E - 8
5LP-18122-00	C - 15	5MV-2175C-00	D - 5	4JX-22226-00	D - 9	5ET-23141-10	F - 5	5GS-24110-00	D - 15	5MV-2581T-00	E - 5
3XK-18140-00	C - 14	5BE-21756-00	D - 2	3SP-22234-00	D - 9	5ET-23141-20	F - 5	5JG-24110-50	D - 15	4ML-2582A-50	E - 12
5BE-18172-00	C - 15	5JG-21781-50	D - 5	5NY-22241-00	D - 9	5ET-23141-30	F - 5	4EW-2412F-00	D - 15	5NY-2582W-00	E - 8
3XJ-18173-00	C - 15	5BF-21823-00	D - 6	5DH-22253-00	D - 9	5ET-23141-40	F - 6	24X-24144-00	D - 15	5DH-25827-50	E - 8
3XJ-18178-00	C - 15	5GS-21871-00	D - 5	5MV-22253-00	D - 9	5GR-23141-00	F - 5	5SF-24173-00	D - 15	5DH-25828-50	E - 8
3XJ-18182-00	C - 15	26H-21874-00	D - 5	5NY-22355-00	D - 7	5NL-23141-00	D - 12	22W-24181-00	C - 6	5JG-2583V-00	E - 12
3XJ-18184-00	C - 15	26H-21875-00	D - 5	3V6-22358-00	E - 2		D - 13	4SS-24181-00	D - 15	5MV-25833-00	E - 10
4EW-18185-00	C - 15	5NY-22110-00	D - 7	4EW-22474-00	D - 9	5DH-23142-L0	D - 12	5BE-24182-00	D - 15	5BE-25844-01	E - 12
5NL-18501-10	C - 14	5NY-22121-00	D - 7	3JE-22475-00	D - 9		D - 13	3JD-24186-00	D - 15	5BE-25852-00	E - 12
5NL-18502-10	C - 14	5NY-22122-00	D - 8	5NY-22475-00	D - 9	5HD-23144-L0	D - 12	5NG-24240-51	E - 2	5MV-25852-01	E - 10
5NL-18503-10	C - 14	4XM-22128-00	D - 7	5GR-22898-50	E - 8		D - 13	5SF-24240-01	E - 2	56A-25854-00	E - 10
5NL-18541-00	C - 14	5NY-22141-00	D - 7	5PH-23102-50	D - 12	5ET-23145-L0	D - 12	3XJ-24380-00	D - 15		E - 12
4BA-18542-00	C - 14	5MV-22151-00	D - 7	5PH-23102-60	D - 12		D - 13	2GU-24500-01	D - 15	2VN-25866-00	E - 12
5DH-18562-00	C - 7	5JG-22156-00	D - 7	5PH-23102-80	D - 12	4SS-23146-L0	D - 12	4X8-24512-00	D - 15	5MV-25867-00	E - 10
5PH-21101-50-PO	D - 2	5NY-2217A-00	D - 7	5PH-23103-50	D - 12		D - 13	3AJ-24523-00	D - 15	5NY-25868-00	E - 10
5BE-2117M-01	E - 12	5NY-2217F-00	D - 8	5PH-23103-60	D - 13	5DH-23149-L0	D - 12	3AJ-24534-00	D - 15	5PH-25872-00	E - 10
5NG-21190-00-PO	D - 2	5MV-22176-00	D - 9	5PH-23103-80	D - 13		D - 13	5MV-24610-00	D - 15	5MV-25873-00	E - 12
5NG-21338-00	D - 3	3JD-22178-10	D - 2	5BF-23110-L0	D - 13	4SS-23153-L0	D - 12	5NG-24710-50	E - 3	5DH-25875-00	E - 5
5HD-2135F-00	D - 8	4EW-22178-00	D - 2	5NY-23111-L0	D - 12		D - 13	5SF-24710-00	E - 3	2VM-25876-00	E - 12
5NY-2135F-00	D - 8	5MV-22184-00	D - 9		D - 13	4SS-23158-L0	D - 12	5BE-24728-00	E - 3	3FV-2589A-00	E - 12
5NL-21417-00	D - 3	4XM-22199-00	D - 7	5DH-23118-L0	D - 12		D - 13	5NG-24731-50	E - 3	5MV-2589F-00	E - 10
5NL-21417-10	D - 3	5PH-22201-50	D - 9		D - 13	5PH-2316A-50	D - 12	5SF-24731-00	E - 3	5BE-25894-00	E - 12
5NL-21425-00	D - 2	5PH-22201-60	D - 9	3JD-2312G-L0	D - 12		D - 13	5NY-25104-00	E - 4	5BE-25895-00	E - 12
5NL-21425-10	D - 2	5PH-22201-70	D - 9		D - 13	5PH-2316A-80	D - 12	5NG-25111-50	E - 4	3SP-25914-51	E - 5
5GS-21458-50	E - 11	5PH-22201-80	D - 9	5DH-23120-L0	D - 12		D - 13	5NY-25117-00	E - 4	5DH-25916-00	E - 5
5NG-2147A-10	D - 3	5PH-22210-50	D - 9	5ET-23125-L0	D - 12	5BF-2317M-00	E - 14	5BE-25181-00	E - 4		E - 8
					D - 13	5NG-23170-60	D - 12	5NY-25183-00	E - 4	5DH-25919-00	E - 5

NUMERICAL INDEX

PART NO.	GRID NO.	PART NO.	GRID NO.	PART NO.	GRID NO.	PART NO.	GRID NO.	PART NO.	GRID NO.	PART NO.	GRID NO.
5DH-25919-50	E - 8	5MV-83912-00	F - 3	90109-06418	B - 7	90185-10060	D - 10	90340-12112	B - 2	90464-13077	F - 4
8CR-25924-00	E - 8	5BE-83913-00	F - 3	90109-065G2	B - 12	90185-14007	D - 8	90340-14128	C - 8	90464-15152	F - 4
3SP-25926-51	E - 5	5MV-83922-00	E - 10	90109-065G4	E - 8	90185-16127	D - 7	90340-32123	C - 8	90464-16039	D - 6
5DH-25933-00	E - 5	5HD-83951-00	F - 3	90109-066F0	B - 3	90185-20168	E - 7	90387-06004	B - 9	90464-16061	F - 4
4XM-26111-00	E - 9	5NG-83976-50	F - 3	90109-081G1	E - 6	90201-03313	B - 14	90387-06009	D - 4	90464-29223	F - 3
5BE-26240-00	E - 9	5SF-83976-00	F - 3	90109-082G0	C - 9	90201-05033	E - 14	90387-0614M	B - 9	90465-08029	C - 8
4GY-26241-00	E - 9	583-83981-00	F - 3	90110-08096	D - 2	90201-06057	F - 2	90387-065L5	F - 2	90465-10013	C - 7
4GY-26242-00	E - 9	5BF-84310-00	E - 15	90116-06541	B - 2	90201-06071	B - 9	90387-0701A	D - 4	90465-13275	F - 4
3Y1-26249-00	E - 9	8G9-84314-00	E - 15	90119-05071	D - 11	90201-06557	D - 4	90387-086N4	D - 2	90465-16258	E - 10
5BE-26281-00	E - 9	5NG-84319-50	E - 14	90119-06001	D - 3	90201-080H1	C - 10	90387-1003G	E - 11	90467-09006	B - 9
5BE-26282-00	E - 9	5BF-8433E-00	E - 15	90119-06038	D - 4	90201-08089	E - 11	90387-124F4	C - 15		D - 6
5BF-26287-00	E - 9	5BF-84330-00	E - 15	90119-06039	F - 4	90201-08326	C - 9	90387-16005	D - 7	90467-10008	D - 15
5SF-26302-00	E - 9	5BF-84334-00	E - 15	90119-06060	D - 6		E - 6	90387-16007	D - 7	90467-11106	B - 3
5SF-26335-00	E - 9	5BF-84335-00	E - 15	90119-06096	D - 4	90201-08410	C - 4	90387-167Y9	D - 7	90467-12085	E - 12
5HD-26337-00	F - 3	55U-84337-00	E - 15	90119-06214	D - 15	90201-08512	B - 8	90387-18004	D - 7	90467-14015	B - 2
5HD-26342-00	E - 9	5BF-84397-00	E - 15	90119-08238	D - 5	90201-086P8	D - 2	90387-18005	D - 7	90467-17089	B - 14
583-26352-00	F - 3	5BF-84710-00	F - 2	90122-06035	B - 13	90201-096J9	B - 2	90387-18007	C - 7	90468-16191	E - 11
5HD-26372-00	F - 3	36Y-84714-40	F - 2	90146-06014	B - 13	90201-101J1	E - 13	90387-20006	C - 12	90480-14102	F - 2
5NY-26372-00	E - 10	4GY-84723-00	F - 2	90149-06011	D - 15	90201-10118	E - 10	90387-22001	C - 12	90480-14323	D - 4
4XM-27200-00	E - 11	4GY-84733-00	F - 2	90149-06126	C - 7		E - 12	90387-225N2	E - 9	90480-15528	B - 9
5JG-27217-00	E - 11	5PH-85540-50	F - 4	90149-06250	B - 4	90201-10119	E - 11	90401-08038	B - 12	90480-18549	D - 15
3SP-27222-00	E - 12	5PH-85540-60	F - 4	90149-06324	E - 13	90201-112U6	E - 11	90401-10159	B - 12	90501-043E0	B - 12
5BF-27311-00	E - 11	5PH-85540-80	F - 4	90149-06326	C - 7	90201-12166	B - 10	90401-10172	E - 10	90501-052G5	C - 15
5GS-27315-50	E - 11	5NL-85546-00	F - 4	90149-06327	E - 5	90201-14740	D - 8		E - 12	90501-06022	C - 14
5ET-27411-00	E - 11	5NG-85550-50	E - 13	90151-04048	D - 7	90201-15701	C - 8	90430-06014	B - 2	90501-12081	C - 9
5ET-27421-00	E - 11	5NG-85560-50	E - 13	90152-06010	C - 9	90201-160F6	D - 7		B - 7	90501-16016	C - 9
4GY-27491-00	E - 8	5JG-85885-00	C - 4	90154-05073	F - 4	90201-162H4	C - 9		B - 8	90501-220A0	C - 10
5BE-2814F-00	D - 3	9Y58A-76113	E - 7	90157-02031	E - 14	90201-167P7	C - 9	90430-08119	B - 12	90506-16500	E - 11
5ET-28166-00	D - 3	90101-06001	C - 9	90157-05095	E - 12	90201-177G4	C - 9		D - 2	90506-35473	E - 11
5NG-2831V-00	D - 11	90101-06664	C - 15	90159-06078	D - 5	90201-203U1	E - 7	90430-10188	B - 12	90508-142B5	C - 11
4GY-2832V-00	D - 11	90101-08777	E - 7	90159-06092	C - 10	90201-20685	C - 9		C - 7	90508-162B2	B - 7
5GS-81910-50	F - 4	90101-10738	E - 11	90159-06182	D - 5	90201-247L2	D - 11	90430-18130	D - 2	90508-26561	C - 14
4SR-82310-00	F - 4	90105-05361	D - 11	90159-06189	E - 15	90201-286K9	D - 11	90445-09109	D - 15	90508-282B8	E - 11
5BE-82370-00	F - 4	90105-06027	B - 2	90170-14171	B - 4	90202-05193	D - 15	90445-09220	D - 15	90508-282B9	E - 11
5PH-82509-50	F - 4	90105-06154	D - 4	90170-16326	C - 10	90202-08045	B - 15	90445-11002	D - 15	90508-291A8	C - 15
5SF-82540-00	F - 4	90105-065A1	C - 8	90170-24373	D - 11	90206-06090	C - 6	90445-112K0	B - 3	90508-30743	C - 9
5HD-82911-00	F - 3	90105-06553	C - 13	90179-06568	D - 7	90209-06096	B - 13	90445-114K9	D - 15	91A20-05130	D - 6
5BE-82912-00	F - 3		C - 7	90179-08299	E - 7	90209-20008	C - 12	90450-22017	B - 10	91A21-05125	D - 6
38V-82913-00	F - 3		E - 12	90179-10247	E - 13	90209-23012	C - 12		B - 9	91314-06030	B - 10
2HR-83505-F0	E - 14	90105-06690	D - 4	90179-16672	E - 4	90215-14204	B - 4	90450-25037	B - 9	91316-04008	B - 15
2HR-83505-G0	E - 14	90105-08099	D - 2	90179-18001	C - 10	90215-16289	C - 10	90450-32015	B - 9	91316-04012	B - 15
4V5-83513-00	E - 14	90105-08659	E - 5		C - 13	90215-20003	C - 10	90450-54002	B - 13	91317-05008	D - 7
5NG-83519-00	E - 14	90105-09002	B - 2	90179-28650	D - 11		C - 13	90450-57092	B - 13	91317-05014	B - 13
437-83525-00	E - 14	90105-09555	B - 2	90183-06023	B - 14	90240-08120	E - 11	90450-61001	B - 13	91317-06014	E - 10
1M1-83526-00	E - 14	90105-10323	D - 9		D - 4	90240-10142	E - 11	90461-11099	F - 2	91317-06016	F - 4
5BF-83550-00	E - 14	90105-10733	D - 2	90185-08169	D - 2	90267-32070	B - 13	90464-13073	D - 6	91317-06025	B - 10
11H-83578-00	E - 14	90109-06027	F - 3		E - 6	90280-03001	B - 4		F - 4	91317-06045	C - 7
2HR-83592-00	E - 14	90109-063F8	C - 14	90185-10002	D - 2	90338-18176	D - 2	90464-13077	D - 6	91317-06055	C - 7

NUMERICAL INDEX

PART NO.	GRID NO.	PART NO.	GRID NO.	PART NO.	GRID NO.	PART NO.	GRID NO.	PART NO.	GRID NO.	PART NO.	GRID NO.
91317-06070	C - 7	93306-00105	B - 8	94418-18006	E - 6	95607-10200	D - 9	99530-10116	C - 7		
91317-08020	C - 6	93306-00317	C - 12	94421-18005	E - 6	95617-08620	B - 2				
91401-20012	E - 11	93306-00320	C - 12	94591-53114	B - 7	95617-10100	E - 11				
91401-25015	E - 11	93306-07202	E - 6	94681-76021	E - 7	95701-06500	E - 10				
91808-16023	B - 2	93306-20335	B - 4	94701-00318	B - 2	95704-06500	B - 3				
91812-16001	C - 8	93306-20447	C - 12	94701-00319	B - 2	95707-06500	F - 2				
92014-06016	E - 12	93306-20648	B - 4	94701-00329	B - 2	95707-08500	B - 2				
92017-05008	E - 14	93306-27205	E - 6	94701-00330	B - 2		D - 2				
92017-08055	D - 2	93306-27208	C - 12	95024-06020	B - 10	95804-06010	C - 6				
92907-06100	E - 3	93306-90403	E - 4	95027-06010	C - 11	95804-06016	C - 6				
92907-06600	B - 7	93306-90501	C - 14		D - 7	95817-08014	C - 6				
92907-08200	E - 5	93310-63003	B - 4		E - 14	95817-08016	D - 3				
92990-10200	E - 11	93311-32261	B - 4	95027-06012	B - 12	95817-10050	D - 2				
93101-14164	C - 8	93315-32053	D - 8		B - 14	95817-10130	D - 2				
93102-12106	B - 8	93315-32056	D - 7		B - 2	95827-06010	B - 9				
93102-12224	B - 7	93317-11287	C - 10		B - 8		E - 15				
	C - 10	93317-22262	D - 7		B - 9	95827-06012	E - 5				
	C - 15	93332-00068	D - 11		D - 3	95827-06014	B - 7				
93102-18278	C - 9	93332-00081	D - 11		E - 8	95827-06016	D - 5				
93102-26468	E - 4	93340-21008	C - 10	95027-06016	D - 15	95827-08012	D - 2				
93102-28008	C - 12	93342-22217	D - 7		E - 8	97007-05016	F - 3				
93106-22019	D - 7	93410-20038	C - 9	95027-06020	C - 15	97007-06012	E - 3				
93106-30044	E - 6	93410-22039	C - 12	95027-06025	B - 10	97027-06016	B - 7				
93106-30045	E - 6	93410-26067	C - 12		B - 11	97706-40530	F - 2				
93109-11073	B - 8	93420-16086	B - 4		B - 12	97707-50012	B - 13				
93109-20076	D - 7	93440-07149	B - 2		B - 7	97707-60016	D - 4				
	D - 8	93440-07182	B - 8		B - 8	97780-40010	F - 2				
	D - 7		C - 10		B - 9	97801-03008	D - 15				
93210-07003	B - 12	93440-10153	B - 10		C - 8	98507-04014	F - 3				
93210-07135	B - 12		B - 2	95027-06030	B - 9	98507-05020	E - 9				
93210-09008	B - 12	93440-41178	B - 7	95027-06035	B - 3	98507-06025	C - 7				
93210-10197	B - 10	93503-08007	B - 12		C - 8	98706-04012	E - 10				
	C - 7	93507-32009	C - 9	95027-06050	D - 7	98706-04040	E - 12				
93210-11073	E - 11	93511-32027	C - 10	95027-06065	B - 12	98707-06025	D - 15				
93210-12759	B - 12	93603-16219	B - 10		B - 8	98907-05020	F - 3				
93210-14369	C - 8	93604-10011	B - 8	95027-08012	D - 3	98907-06020	D - 15				
93210-15414	B - 9	93608-33002	C - 15		E - 14	98980-06008	C - 6				
93210-15620	E - 12	93612-16254	B - 3	95027-08020	E - 5	99001-08600	B - 10				
93210-16716	C - 8		C - 7	95027-08035	D - 11	99009-12400	B - 10				
93210-17570	C - 9	9383B-13218	C - 12	95027-08040	D - 11	99009-16400	C - 9				
93210-19123	D - 3	9383B-14222	C - 12		D - 2	99009-17400	C - 9				
93210-196A4	C - 12	94108-21008	E - 4	95027-08065	D - 2	99009-22500	C - 8				
93210-21276	F - 4	94110-18008	E - 6	95027-10016	C - 7	99009-45500	E - 6				
93210-32172	C - 8	94211-18176	E - 6	95027-10020	E - 11	99244-00200	D - 8				
93210-42263	D - 12	94227-21101	E - 4	95301-08700	E - 12	99530-08012	B - 10				
	D - 13	94309-18146	E - 6	95607-05100	B - 13	99530-08016	C - 8				
93210-47675	B - 12	94309-21161	E - 4		F - 3	99530-10114	B - 10				
93300-60804	D - 2	94416-21005	E - 4	95607-06100	F - 3		C - 7				

CONTENTS

ENGINE

CYLINDER	B2
CRANKSHAFT. PISTON	B4
VALVE	B5
CAMSHAFT. CHAIN	B7
WATER PUMP	B8
RADIATOR. HOSE	B9
OIL PUMP	B10
OIL CLEANER	B12
INTAKE	B13
CARBURETOR	B15
EXHAUST	C6
CRANKCASE	C7
CRANKCASE COVER 1	C8
STARTER	C9
CLUTCH	C10
TRANSMISSION	C12
SHIFT CAM. FORK	C14
SHIFT SHAFT	C15

CHASSIS

FRAME	D2
FENDER	D4
SIDE COVER	D5
REAR ARM	D7
REAR SUSPENSION	D9
STEERING	D11
FRONT FORK	D12
FUEL TANK	D15
SEAT	E3
FRONT WHEEL	E4
FRONT BRAKE CALIPER	E5
REAR WHEEL	E6

REAR BRAKE CALIPER	E8
STEERING HANDLE. CABLE	E9
FRONT MASTER CYLINDER	E10
STAND. FOOTREST	E11
REAR MASTER CYLINDER	E12
GENERATOR	E13
METER	E14
HEADLIGHT	E15
TAILLIGHT	F2
HANDLE SWITCH. LEVER	F3
ELECTRICAL 1	F4
ALTERNATE (CHASSIS)	F5